

**What's in This Section**

<b>Clad Inswing Entry Doors</b> .....	<b>Page 3</b>
<b>Part Illustrations</b> .....	<b>3</b>
Parts Illustration - Single Door .....	3
Parts Illustration - Double Door .....	4
Parts Illustration - Active Door .....	5
Parts Illustration - Passive Door .....	6
Parts Illustration - Stationary Door .....	7
<b>Unit Sizes</b> .....	<b>8</b>
Product Label .....	8
Standard Sizes .....	9
<b>Panels</b> .....	<b>11</b>
Panels - Shapes and Sizes .....	11
Panel Assembly - Active .....	12
Panel Assembly - Passive .....	13
Panel Assembly - Stationary .....	14
Panel Options .....	15
Replacement Door Panels .....	16
Reglazing Kits .....	16
Replacement Raised & Flat Panels .....	17
Interior Glazing Stops .....	18
Astragals .....	19
Decorative Raised Mouldings .....	23
Door Panel Parts .....	24
<b>Grilles</b> .....	<b>26</b>
Interior and Exterior Grilles .....	26
Grille Profiles - Wood .....	27
Grille Profiles - Aluminum .....	28
Grille Profiles - Fibrex™ .....	28
Standard Grille Patterns .....	29
Grille Parts .....	30
<b>Hardware</b> .....	<b>31</b>
Trim Set Illustration - GU / Active .....	31
Trim Set Illustration - GU / Semi Active .....	32
Trim Set Illustration - GU / Dummy .....	33
Trim Set .....	34

Trim Set Illustrations - European / Active .....	35
Trim Set Illustration - European / Semi Active .....	36
Trim Set Illustration - European / Dummy .....	37
Trim Sets- European .....	38
Shared Trim Set Parts .....	39
Trim Set Parts - AW / 2 ¼" Door Panel .....	41
Lock Assembly - AW .....	42
Lock Parts - AW .....	44
Lock Parts - AW .....	45
Lock Assembly - GU .....	46
Lock Assembly - GU .....	47
Lock Parts - GU .....	49
Lock Assembly - Old GU .....	50
Lock Assembly - Old GU .....	51
Lock Parts - Old GU .....	53
Flush Bolts .....	54
Hinges .....	56
Screws - Hinge .....	58
<b>Frames .....</b>	<b>59</b>
Frame Assembly - Active & Passive / 4 9/16" Wall (December 2010) - Present) .....	59
Frame Assembly - Active & Passive / 6 9/16" Wall (December 2010) - Present) .....	60
Frame Assembly - Stationary (December 2010) - Present) .....	61
Sill .....	62
Sill Parts (December 2010) - Present) .....	64
Extension Jambs .....	66
Frame Parts .....	68
<b>Joining Components .....</b>	<b>70</b>
Mullion Covers - Interior .....	70
Mullion Covers - Exterior .....	71
<b>Interior Casing .....</b>	<b>72</b>
Casing Profiles .....	72
Casing Parts .....	74
<b>Installation Components .....</b>	<b>76</b>
Installation Components .....	76
<b>Service Replacement .....</b>	<b>Page 79</b>
<b>Service Replacement Parts .....</b>	<b>79</b>
Service Parts .....	79

# Andersen® Clad Inswing Entry Doors (2001 to Present)

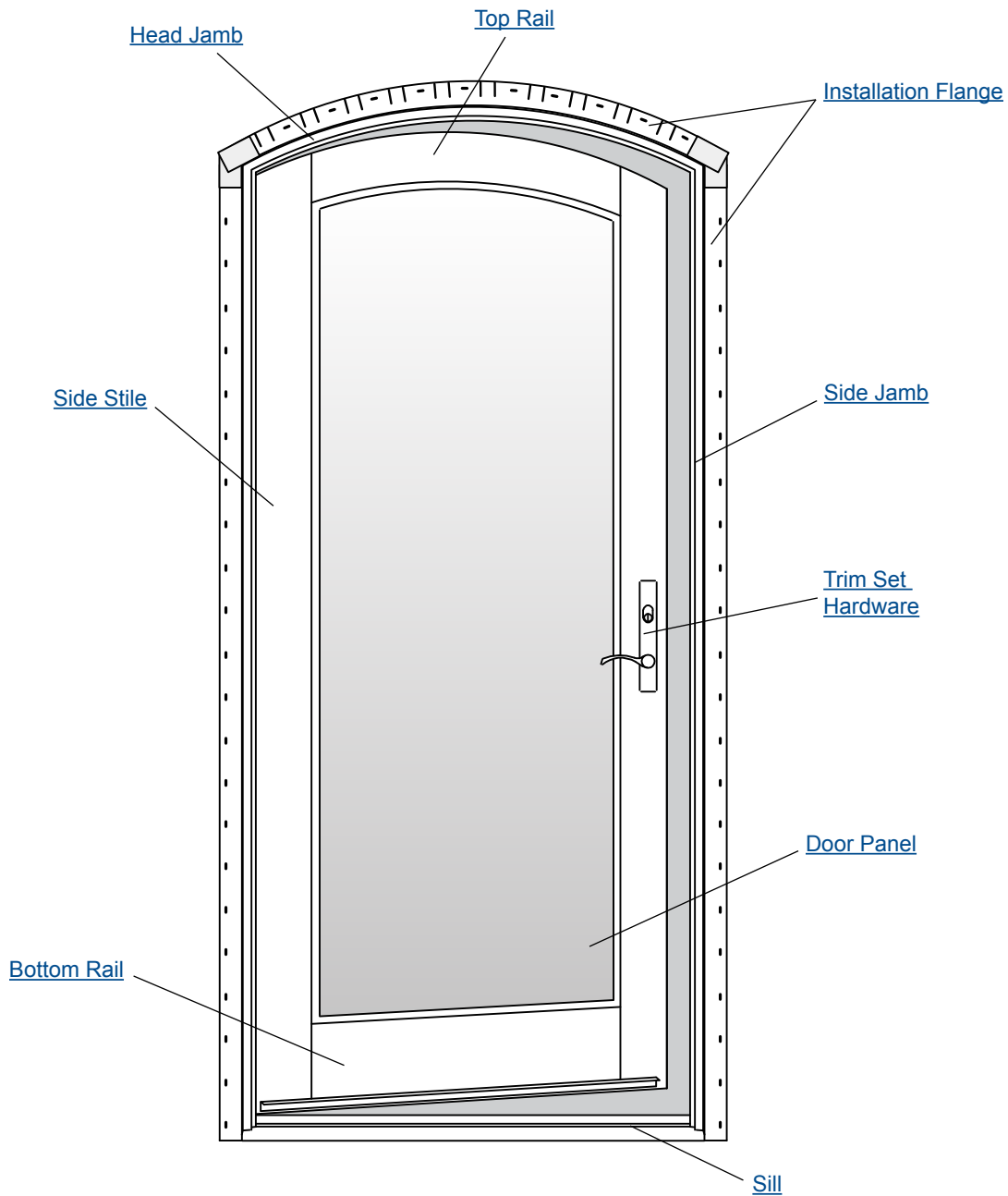
Single and Double Doors

Parts Illustration

## Parts Illustration - Single Door

**Note:**

Single doors can be active or stationary.



**Clad Inswing Entry Doors Unit Parts - Single Door**

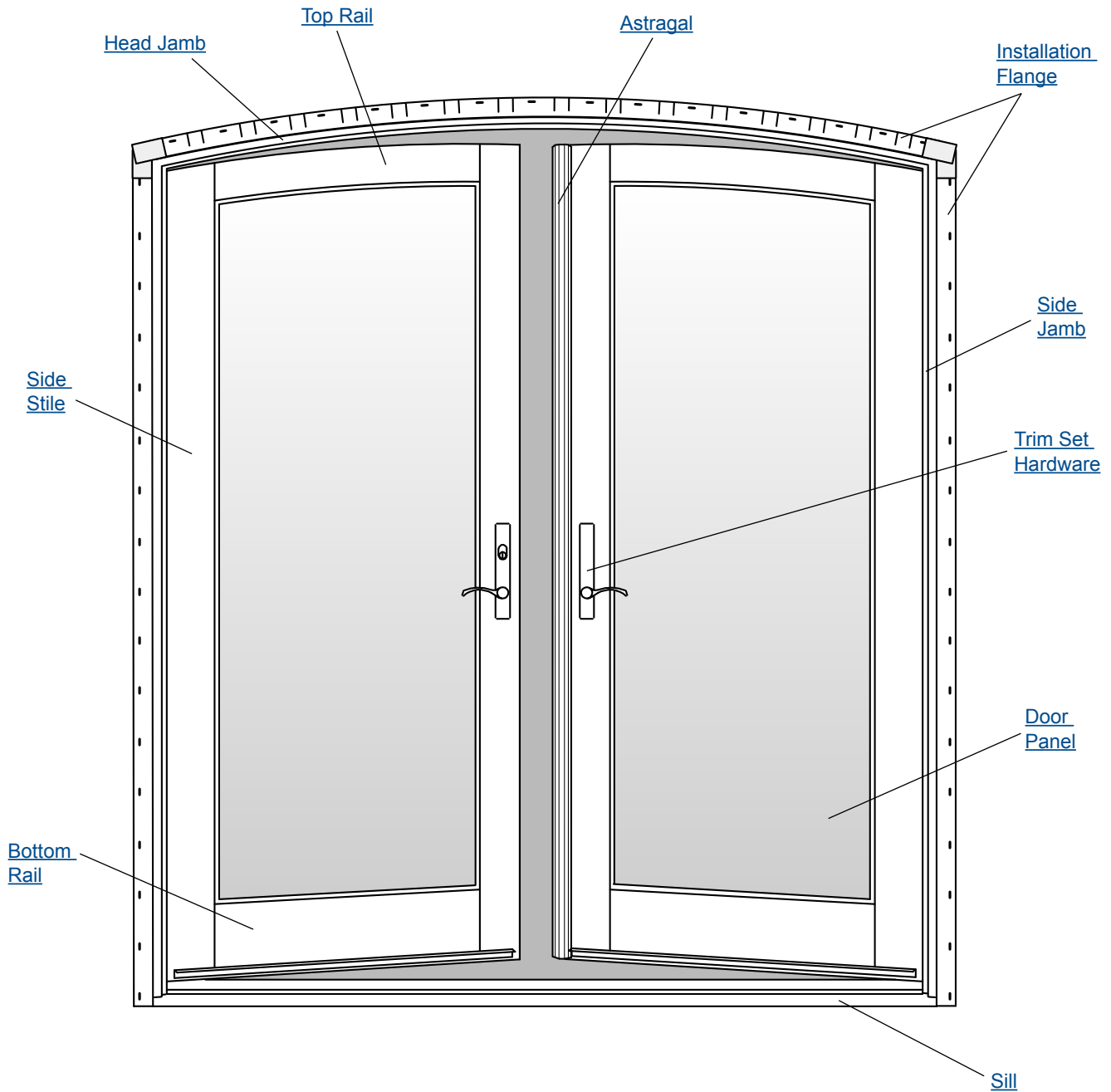
*Unit viewed from exterior*

Parts Illustration

**Parts Illustration - Double Door**

**Note:**

Double doors can be active/passive, passive/active, active/stationary, stationary/active, or stationary/stationary.



**Clad Inswing Entry Doors Unit Parts - Double Doors**

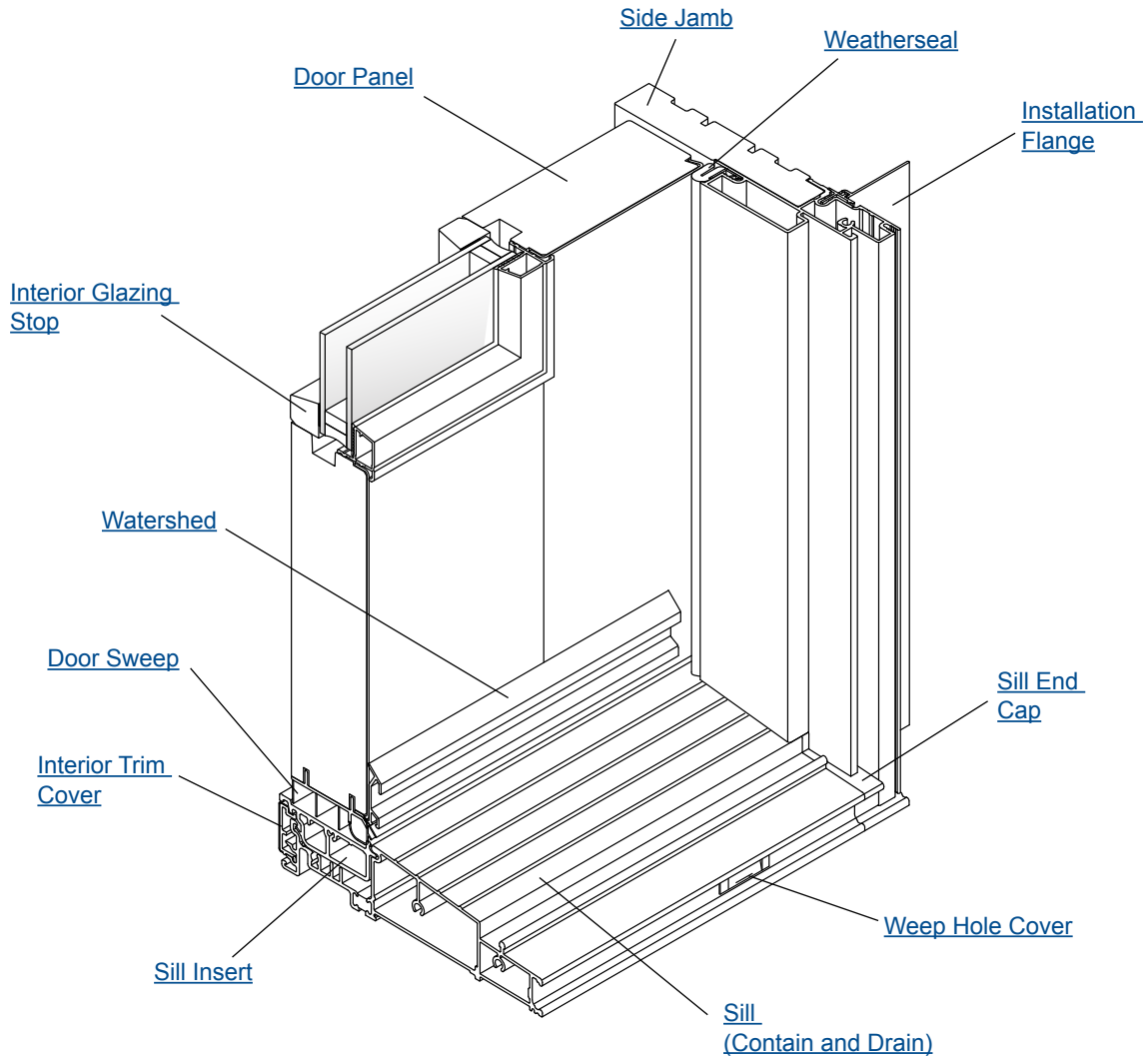
*Unit viewed from exterior*

# Andersen® Clad Inswing Entry Doors (2001 to Present)

Single and Double Doors

## Parts Illustration

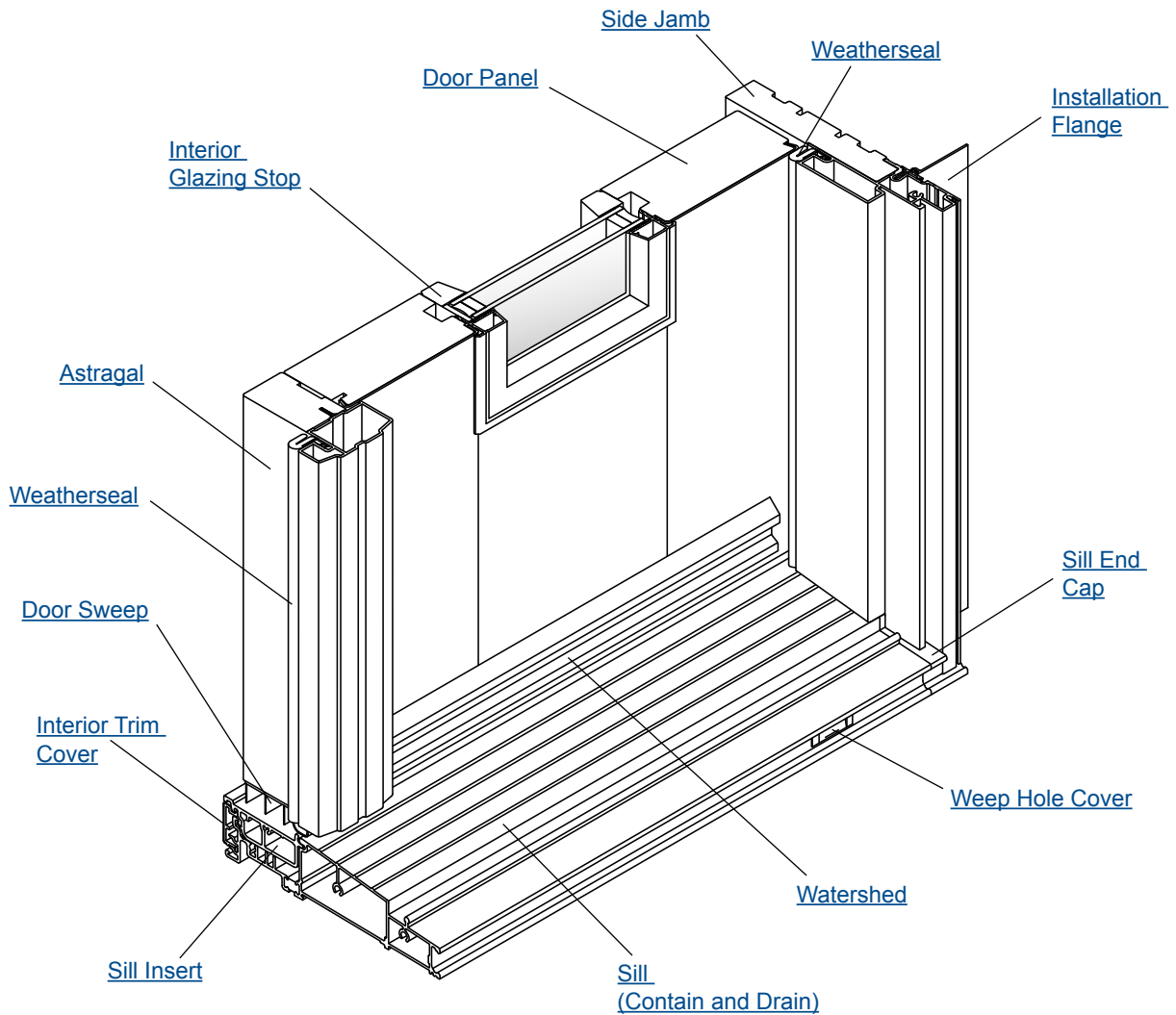
### Parts Illustration - Active Door



Clad Inswing Entry Doors - Active Door

Parts Illustration

Parts Illustration - Passive Door



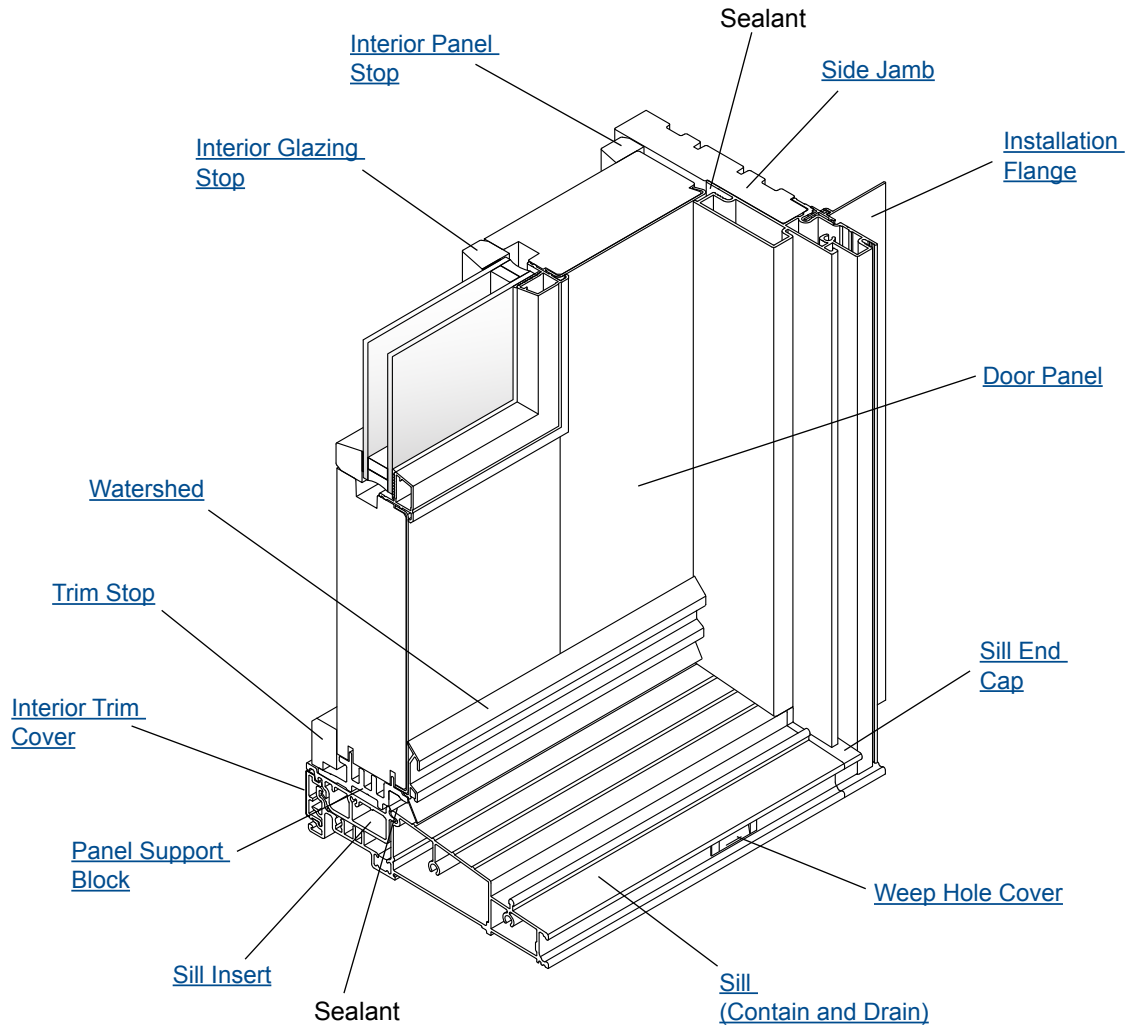
Clad Inswing Doors - Passive Door

# Andersen® Clad Inswing Entry Doors (2001 to Present)

Single and Double Doors

## Parts Illustration

### Parts Illustration - Stationary Door



Clad Inswing Entry Doors - Stationary Door

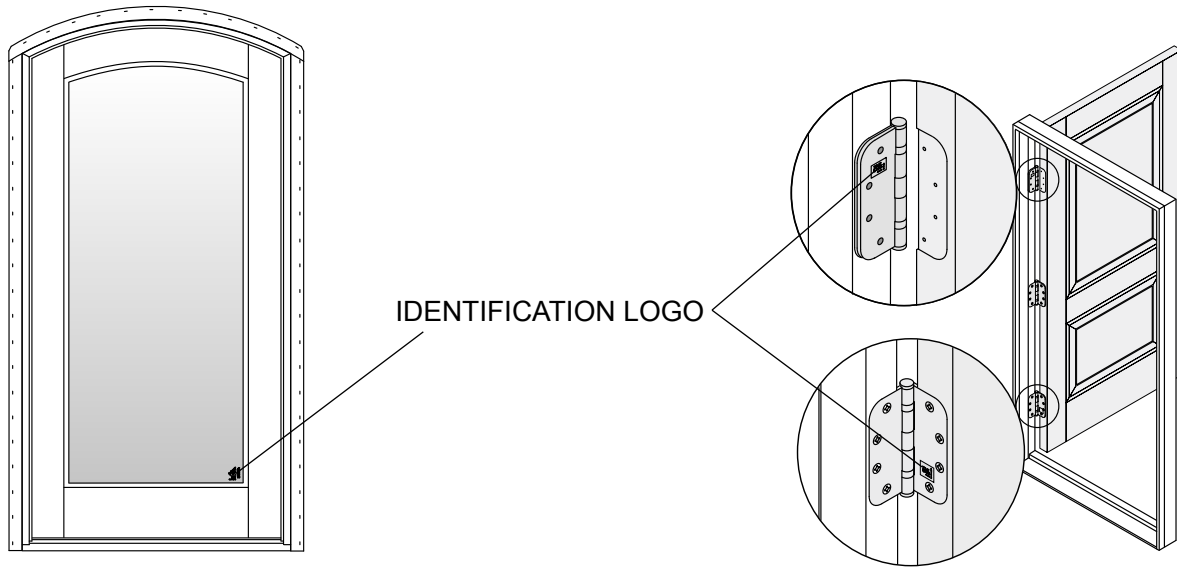
Unit Sizes

Product Label

Clad inswing entry doors have an identification logo etched on the bottom right corner of the glass as viewed from the interior. If there is no glass the identification logo may be behind the hinge leaf of the top hinge on a single door or top right or left hinge of a double door or on the outside of the bottom hinge.

This identification logo contains a “P Number”. The “P Number” is located directly below the Andersen® or KML by Andersen™ logo. “P Numbers” include both the Production Number and Line Item Number separated by an exclamation mark.

When ordering replacement parts, please provide the “P Number” and a brief description of the product and part required to ensure the replacement part(s) match the specifications of the original product. If unable to locate the “P Number” contact the appropriate Andersen® distributor.



IDENTIFICATION LOGO

Quarter & Year of Manufacture

Date of Manufacture



PXXXXXX!XX  
DCA . LSC  
16 CFR 1201 CII

CLG-X ANSI Z97.1 1984  
SGCC XXXX U XXXX Q-YR



PXXXXXX!XX

MADE IN CANADA DD/MM/YYYY

P123456!12

Production Number

Line Item

P NUMBER



# Andersen® Clad Inswing Entry Doors (2001 to Present)

Single and Double Doors

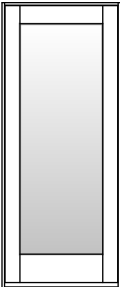
## Unit Sizes

### Standard Sizes

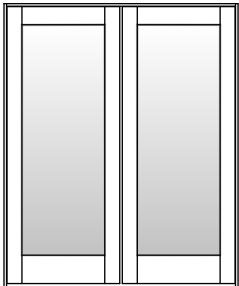
**Note:**

Standard sizes similar to Andersen® 400 and/or 200 Series product. Custom sizes and shapes available.

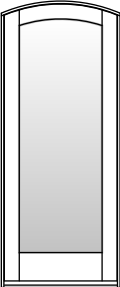
#### Rectangle Doors

	Unit No.	Dimensions (w × h)
		24S102
30S102	31 <sup>11</sup> / <sub>16</sub> " × 82"	
32S102	33 <sup>11</sup> / <sub>16</sub> " × 82"	
36S102	37 <sup>11</sup> / <sub>16</sub> " × 82"	
42S102	43 <sup>11</sup> / <sub>16</sub> " × 82"	
24E102	25 <sup>11</sup> / <sub>16</sub> " × 95"	
30E102	31 <sup>11</sup> / <sub>16</sub> " × 95"	
32E102	33 <sup>11</sup> / <sub>16</sub> " × 95"	
36E102	37 <sup>11</sup> / <sub>16</sub> " × 95"	
42E102	43 <sup>11</sup> / <sub>16</sub> " × 95"	

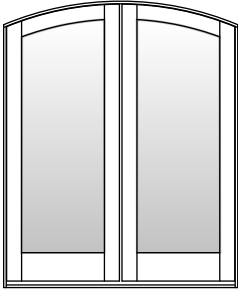
#### Double Rectangle Doors

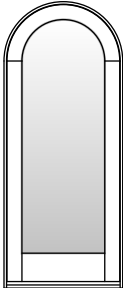
	Unit No.	Dimensions (w × h)
		24S102DBL
30S102DBL	62 <sup>3</sup> / <sub>4</sub> " × 82"	
32S102DBL	66 <sup>3</sup> / <sub>4</sub> " × 82"	
36S102DBL	74 <sup>3</sup> / <sub>4</sub> " × 82"	
42S102DBL	86 <sup>3</sup> / <sub>4</sub> " × 82"	
24E102DBL	50 <sup>3</sup> / <sub>4</sub> " × 95"	
30E102DBL	62 <sup>3</sup> / <sub>4</sub> " × 95"	
32E102DBL	66 <sup>3</sup> / <sub>4</sub> " × 95"	
36E102DBL	74 <sup>3</sup> / <sub>4</sub> " × 95"	
42E102DBL	86 <sup>3</sup> / <sub>4</sub> " × 95"	

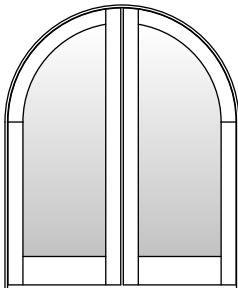
#### Arch Top Doors

	Unit No.	Dimensions (w × h)
		24S108
30S108	31 <sup>11</sup> / <sub>16</sub> " × 82"	
32S108	33 <sup>11</sup> / <sub>16</sub> " × 82"	
36S108	37 <sup>11</sup> / <sub>16</sub> " × 82"	
42S108	43 <sup>11</sup> / <sub>16</sub> " × 82"	
24E108	25 <sup>11</sup> / <sub>16</sub> " × 95"	
30E108	31 <sup>11</sup> / <sub>16</sub> " × 95"	
32E108	33 <sup>11</sup> / <sub>16</sub> " × 95"	
36E108	37 <sup>11</sup> / <sub>16</sub> " × 95"	
42E108	43 <sup>11</sup> / <sub>16</sub> " × 95"	

**Unit Sizes**

<b>Double Arch Doors</b>		<b>Unit No.</b>	<b>Dimensions (w × h)</b>
		24S110	50 ¾" × 82"
		30S110	62 ¾" × 82"
		32S110	66 ¾" × 82"
		36S110	74 ¾" × 82"
		42S110	86 ¾" × 82"
		24E110	50 ¾" × 95"
		30E110	62 ¾" × 95"
		32E110	66 ¾" × 95"
		36E110	74 ¾" × 95"
		42E110	86 ¾" × 95"

<b>Springline™ Doors</b>		<b>Unit No.</b>	<b>Dimensions (w × h)</b>
		36S112	37 11/16" × 82"
		42S112	43 11/16" × 82"
		36E112	37 11/16" × 95"
		42E112	43 11/16" × 95"

<b>Double Springline™ Doors</b>		<b>Unit No.</b>	<b>Dimensions (w × h)</b>
		36E112	74 ¾" × 95"

# Andersen® Clad Inswing Entry Doors (2001 to Present)

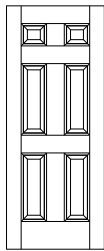
Single and Double Doors

## Panels

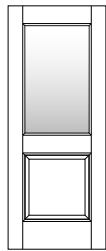
### Panels - Shapes and Sizes

**Note:**

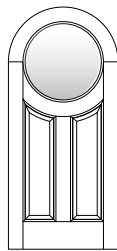
These doors represent only a few of the many styles available.



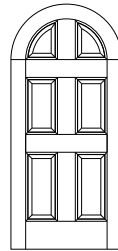
178



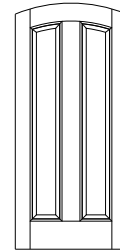
194



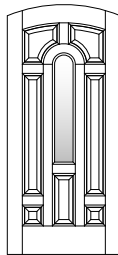
214



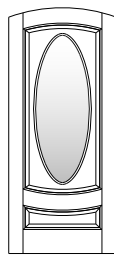
218



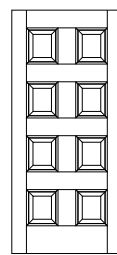
229



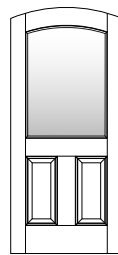
230



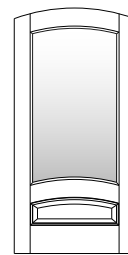
232



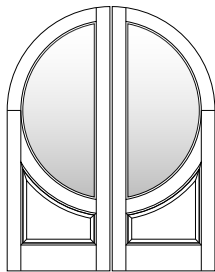
275



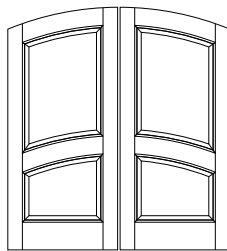
323



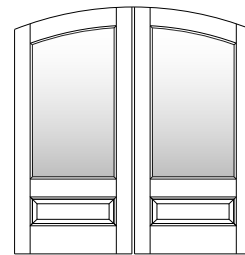
693



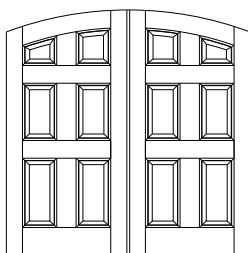
223



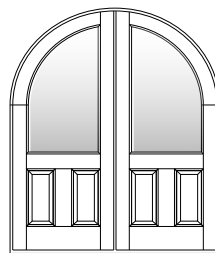
328



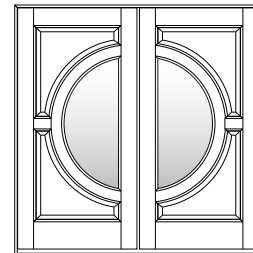
622



640



709

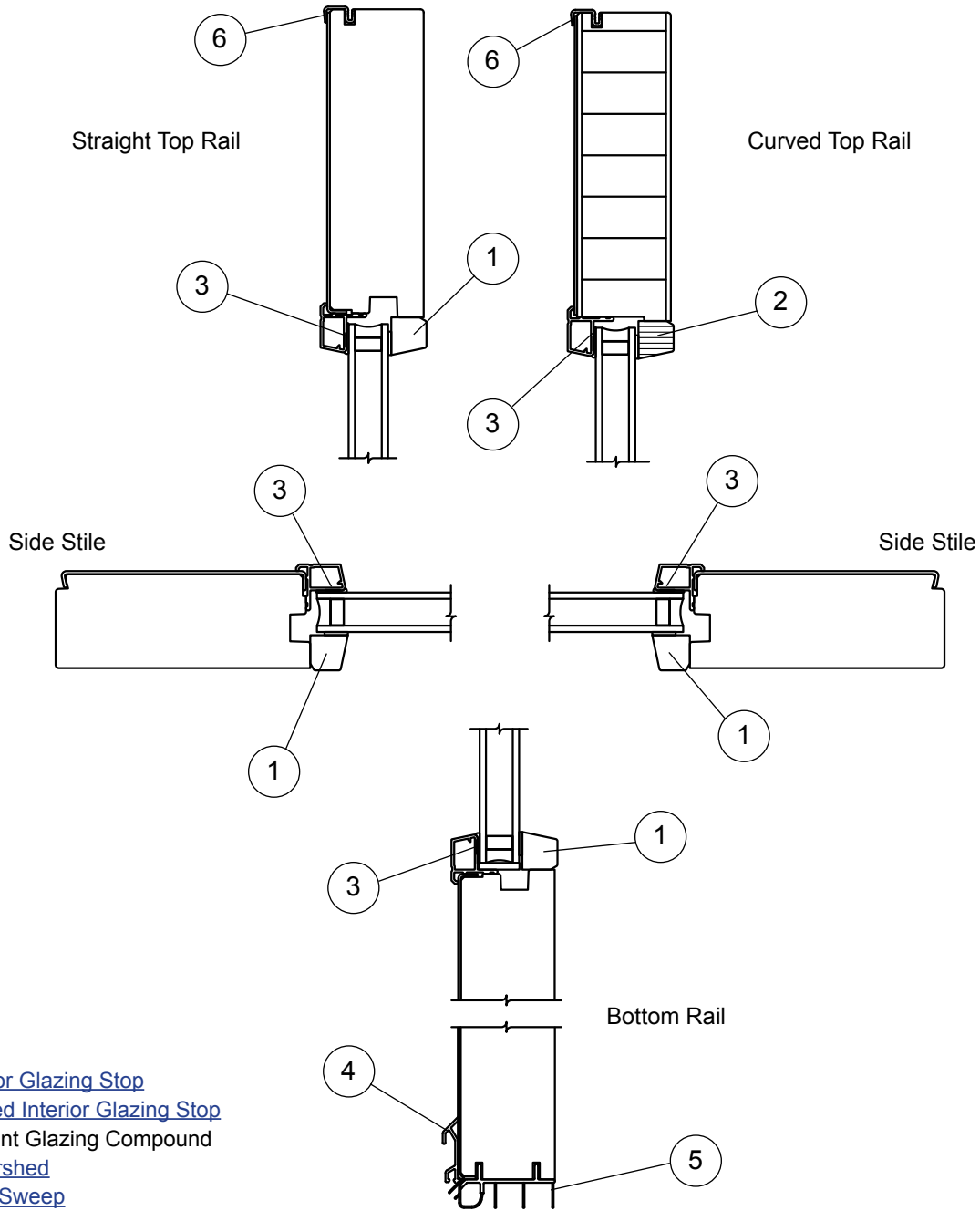


712

### Clad Inswing Entry Doors - Shapes and Styles

Panels

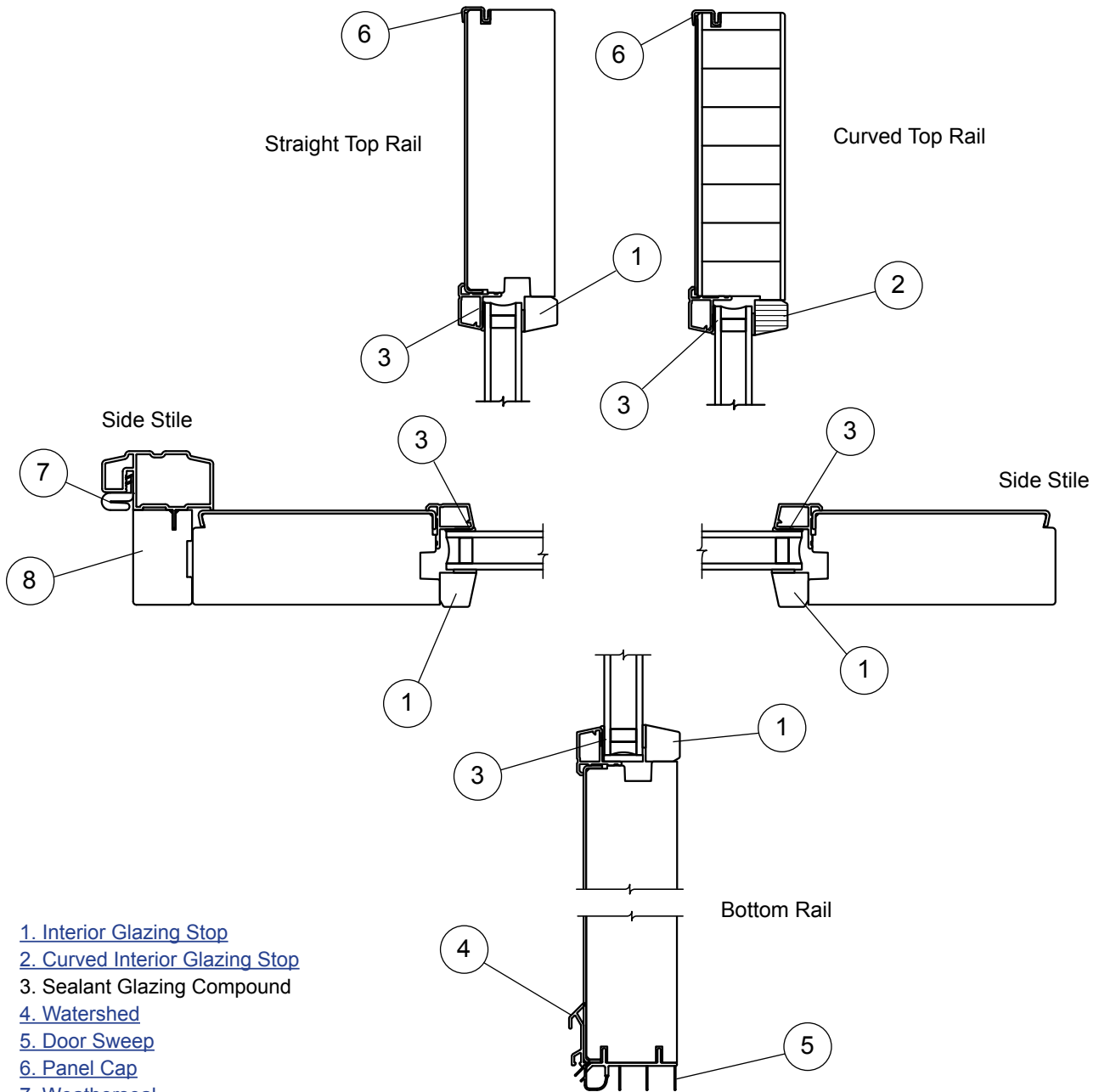
Panel Assembly - Active



- 1. [Interior Glazing Stop](#)
- 2. [Curved Interior Glazing Stop](#)
- 3. [Sealant Glazing Compound](#)
- 4. [Watershed](#)
- 5. [Door Sweep](#)
- 6. [Panel Cap](#)

Clad Inswing Entry Doors - Active Panels

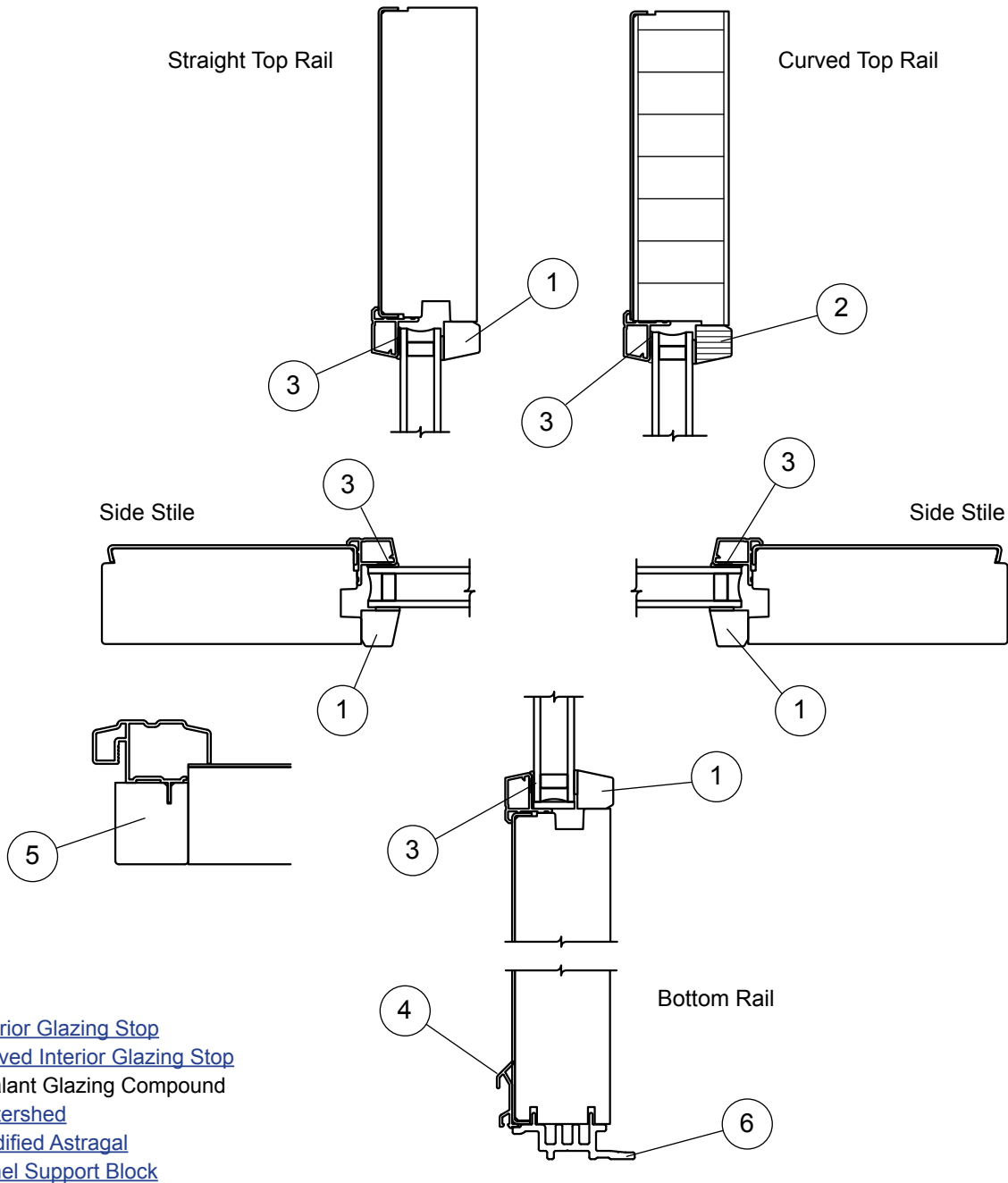
### Panel Assembly - Passive



Clad Inswing Entry Doors - Passive Panels

Panels

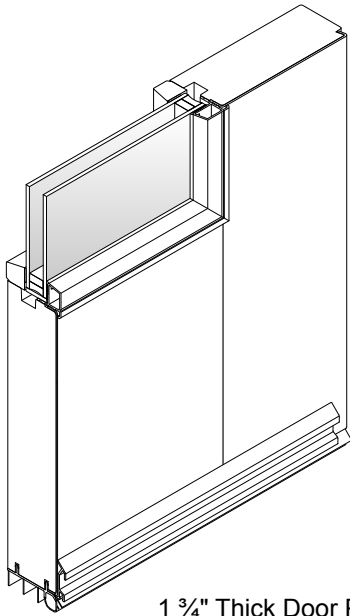
Panel Assembly - Stationary



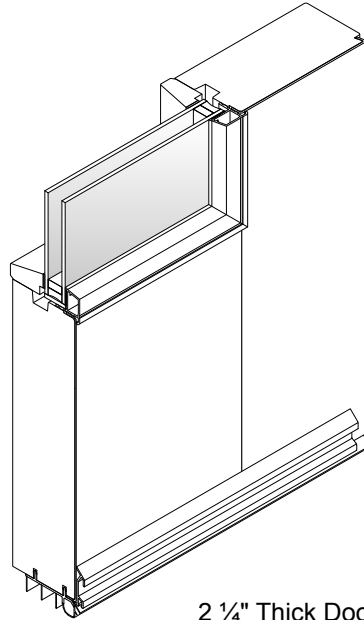
Clad Inswing Entry Doors - Stationary Panels

## Panel Options

### Panel Thicknesses

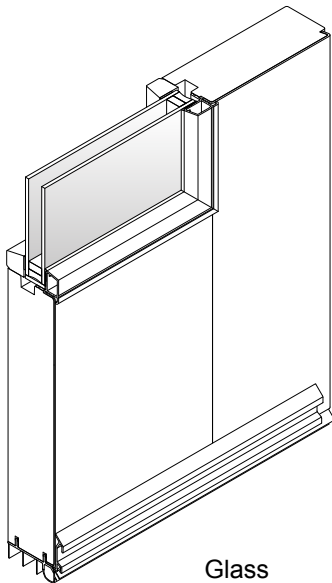


1 3/4" Thick Door Panel

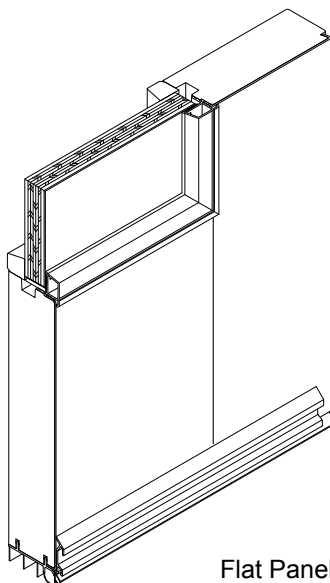


2 1/4" Thick Door Panel

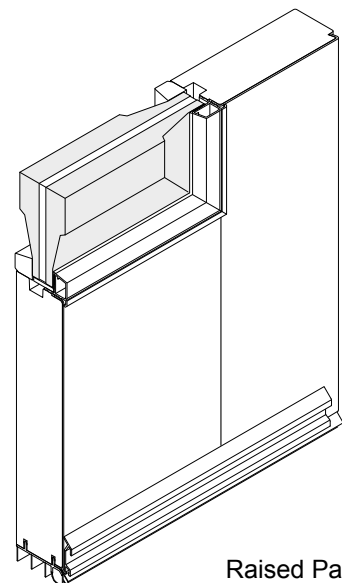
### Glass / Flat Panels / Raised Panels



Glass



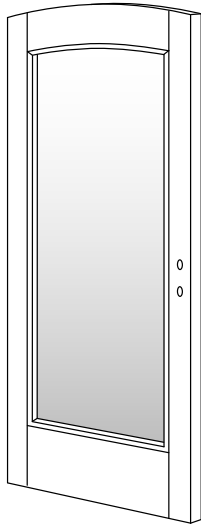
Flat Panel



Raised Panel

**Panels**

**Replacement Door Panels**



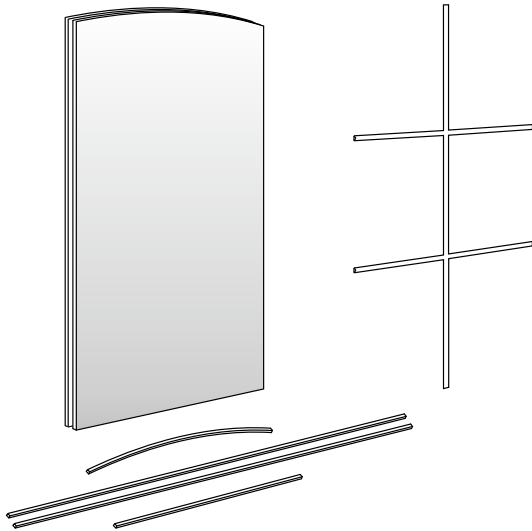
**Note:**

Replacement door panels are made to order.

To order, complete the **Hinge Location Form** and state:

1. **Description of Part (replacement door panel)**
2. **Quantity**
3. **P number (from product label, see [page 8](#))**

**Reglazing Kits**



**Kit Includes:**

Glass unit.

Interior glazing stops and permanent grilles are optional and must be ordered separately.

Glazing stops and grilles have tape applied.

**Note:**

Reglazing kits are made to order.

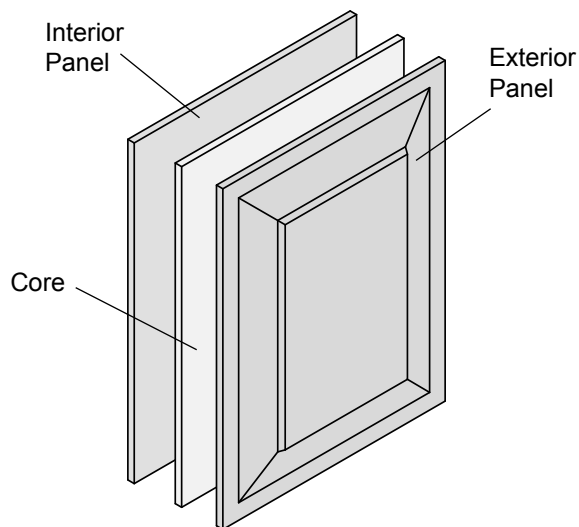
To order, state:

1. **Description of Part (reglazing kit)**
2. **Quantity**
3. **P number (from product label, see [page 8](#))**



## Replacement Raised & Flat Panels

### Replacement Raised Panels



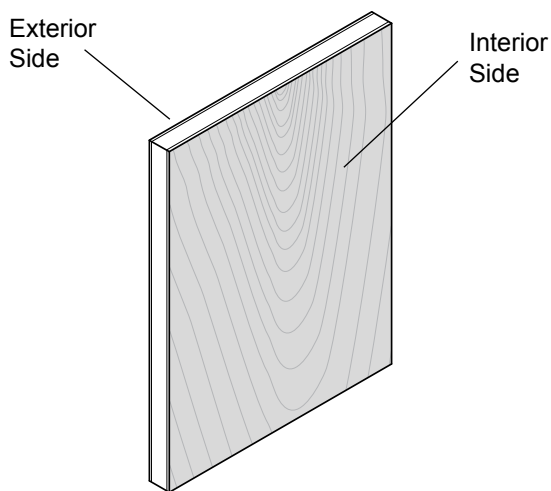
**Note:**

Raised panels are made up of 3 parts; exterior panel, interior panel & core.  
Raised panels can be ordered as separate pieces or as a set.  
Interior raised panels are available in pine, oak, mahogany, maple, cherry, Douglas fir, alder and prefinished white.  
Exterior raised panels are available in 21 standard and any custom color.

To order, state:

1. **Description of Part (raised panel)**
2. **Quantity**
3. **P number (from product label, see [page 8](#))**

### Replacement Flat Panels



**Note:**

Flat panels are 1 piece.  
Interior of flat panels are available in pine, oak, mahogany, maple, cherry, Douglas fir, alder and prefinished white.  
Exterior of flat panels are available in 21 standard and any custom color.

To order, state:

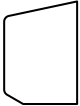
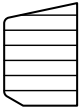
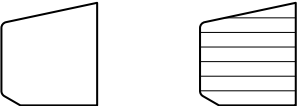

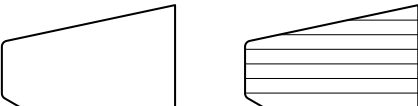
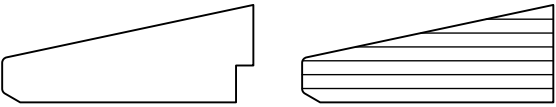
1. **Description of Part (flat panel)**
2. **Quantity**
3. **P number (from product label, see [page 8](#))**

**Panels**

**Interior Glazing Stops**

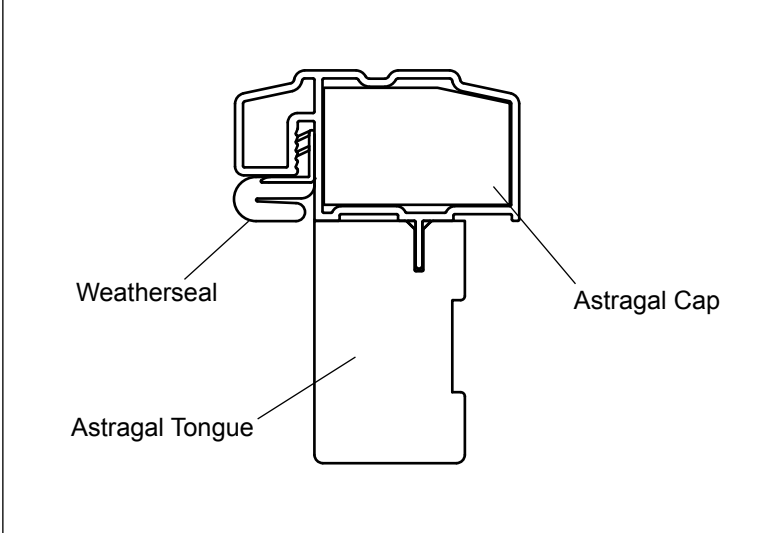
**Note:**

Available in pine, oak, mahogany, maple, cherry, Douglas fir, alder, and prefinished white.

Interior Glazing Stop - 1/2" - Lineal <i>Ref. No. 1</i> <a href="#">page 12, 13 &amp; 14</a>			
	<b>Note:</b> Used on decorative insulating art glass in 1 3/4" door panels.	AAP Order No.	AW Order No.
		PF1008	
Interior Glazing Stop - 1/2" - Curved <i>Ref. No. 2</i> <a href="#">page 12, 13 &amp; 14</a>			
	<b>Note:</b> Used on decorative insulating art glass in 1 3/4" door panels.	AAP Order No.	AW Order No.
		PF1016	
Interior Glazing Stop - 5/8" - Lineal & Curved <i>Ref. No. 1 &amp; 2</i> <a href="#">page 12, 13 &amp; 14</a>			
	<b>Note:</b> Used on dual pane 1 3/4" door panels.	AAP Order No.	AW Order No.
		PF1755	
Interior Glazing Stop - 15/16" - Lineal & Curved <i>Ref. No. 1 &amp; 2</i> <a href="#">page 12, 13 &amp; 14</a>			
	<b>Note:</b> Used on decorative insulating art glass in 2 1/4" door panels.	AAP Order No.	AW Order No.
		PF1483	
Interior Glazing Stop - 1 3/16" - Lineal & Curved <i>Ref. No. 1 &amp; 2</i> <a href="#">page 12, 13 &amp; 14</a>			
	<b>Note:</b> Used on single pane 1 3/4" door panels and dual pane 2 1/4" door panels.	AAP Order No.	AW Order No.
		PF1011	
Interior Glazing Stop - 1 13/16" - Lineal & Curved <i>Ref. No. 1 &amp; 2</i> <a href="#">page 12, 13 &amp; 14</a>			
	<b>Note:</b> Used on single pane 2 1/4" door panels.	AAP Order No.	AW Order No.
		PF1758	

## Astragals

**Astragal** (December 2010 to Present) Ref. No. 8 [page 13](#)

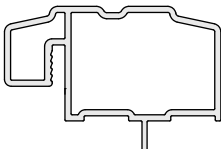


**Note:**  
Replacement astragals are made to order.

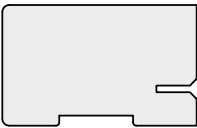
To order, state:

1. **Description of Part (astragal, including left- or right-hinged door panel)**
2. **Quantity**
3. **P number (from product label, see [page 8](#))**

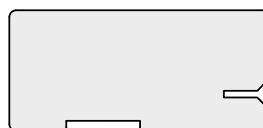
### Astragal Cap - Aluminum

	<p><b>Note:</b> Available in 21 standard and any custom color.</p>	<b>AAP Order No.</b>	<b>AW Order No.</b>
		PF2185	

### Astragal Tongue - 1 3/4" Door Panel / Wood

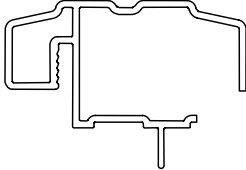
	<p><b>Note:</b> Used on 1 3/4" door panels.</p> <p>Available in pine, oak, mahogany, maple, cherry, Douglas fir, alder, and prefinished white.</p>	<b>AAP Order No.</b>	<b>AW Order No.</b>
		PF2199	

### Astragal Tongue - 2 1/4" Door Panel / Wood

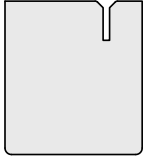
	<p><b>Note:</b> Used on 2 1/4" door panels.</p> <p>Available in pine, oak, mahogany, maple, cherry, Douglas fir, alder, and prefinished white.</p>	<b>AAP Order No.</b>	<b>AW Order No.</b>
		PF2275	

**Panels**


**Astragal Cap - Stationary Door / Aluminum** *Ref. No. 5 [page 14](#)*

	<p><b>Note:</b> Available in 21 standard and any custom color.</p>	<b>AAP Order No.</b>	<b>AW Order No.</b>
		PF2251	

**Astragal Tongue - Stationary Door / 1 3/4" Door Panel / Wood** *Ref. No. 5 [page 14](#)*

	<p><b>Note:</b> Used on stationary 1 3/4" door panels.  Available in pine, oak, mahogany, maple, cherry, Douglas fir, alder, and prefinished white.</p>	<b>AAP Order No.</b>	<b>AW Order No.</b>
		PF2253	

**Astragal Tongue - Stationary Door / 2 1/4" Door Panel / Wood** *Ref. No. 5 [page 14](#)*

	<p><b>Note:</b> Used on stationary 2 1/4" door panels.  Available in pine, oak, mahogany, maple, cherry, Douglas fir, alder, and prefinished white.</p>	<b>AAP Order No.</b>	<b>AW Order No.</b>
		PF2318	

# Andersen® Clad Inswing Entry Doors (2001 to Present)

Single and Double Doors

## Panels

Astragal (March 2007 to December 2010)	
	<p><b>Note:</b> Replacement astragals are made to order.</p>

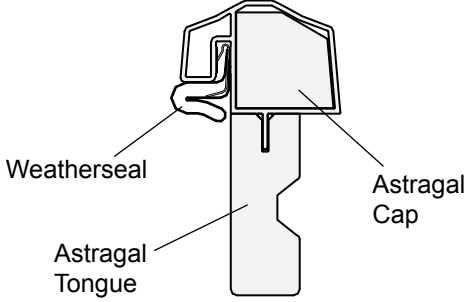
Astragal Cap - Aluminum (March 2007 to December 2010)			
	<p><b>Note:</b> Available in 21 standard and any custom color.</p>	<b>AAP Order No.</b>	<b>AW Order No.</b>
		PF1969	

Astragal Tongue - 1 3/4" Door Panel / Wood (March 2007 to December 2010)			
	<p><b>Note:</b> Used on 1 3/4" door panels.</p> <p>Available in pine, oak, mahogany, maple, cherry, Douglas fir, alder, and prefinished white.</p>	<b>AAP Order No.</b>	<b>AW Order No.</b>
		PF1963	

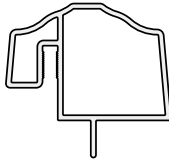
Astragal Tongue - 2 1/4" Door Panel / Wood (March 2007 to December 2010)			
	<p><b>Note:</b> Used on 2 1/4" door panels.</p> <p>Available in pine, oak, mahogany, maple, cherry, Douglas fir, alder, and prefinished white.</p>	<b>AAP Order No.</b>	<b>AW Order No.</b>
		PF1983	

**Panels**

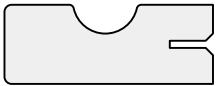
**Astragal (Prior to March 2007)**

 <p>Weatherseal</p> <p>Astragal Tongue</p> <p>Astragal Cap</p>	<p><b>Note:</b> Replacement astragals are made to order.</p>
-------------------------------------------------------------------------------------------------------------------------------------------------	------------------------------------------------------------------


**Astragal Cap - Aluminum (Prior to March 2007)**

	<p><b>Note:</b> Available in 21 standard and any custom color.</p>	<p><b>AAP Order No.</b></p>	<p><b>AW Order No.</b></p>
		<p>PF1735</p>	

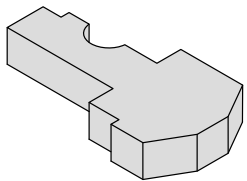
**Astragal Tongue - 1 3/4" Door Panel / Wood (Prior to March 2007)**

	<p><b>Note:</b> Used on 1 3/4" door pane.</p> <p>Available in pine, oak, mahogany, maple, cherry, Douglas fir, alder, and prefinished white.</p>	<p><b>AAP Order No.</b></p>	<p><b>AW Order No.</b></p>
		<p>PF1730</p>	

**Astragal Tongue - 2 1/4" Door Panel / Wood (Prior to March 2007)**

	<p><b>Note:</b> Used on 2 1/4" door panel.</p> <p>Available in pine, oak, mahogany, maple, cherry, Douglas fir, alder, and prefinished white.</p>	<p><b>AAP Order No.</b></p>	<p><b>AW Order No.</b></p>
		<p>PF1731</p>	

**Astragal Bottom Seal (Prior to March 2007)**

		<p><b>AAP Order No.</b></p>	<p><b>AW Order No.</b></p>
		<p>102307</p>	

# Andersen® Clad Inswing Entry Doors (2001 to Present)

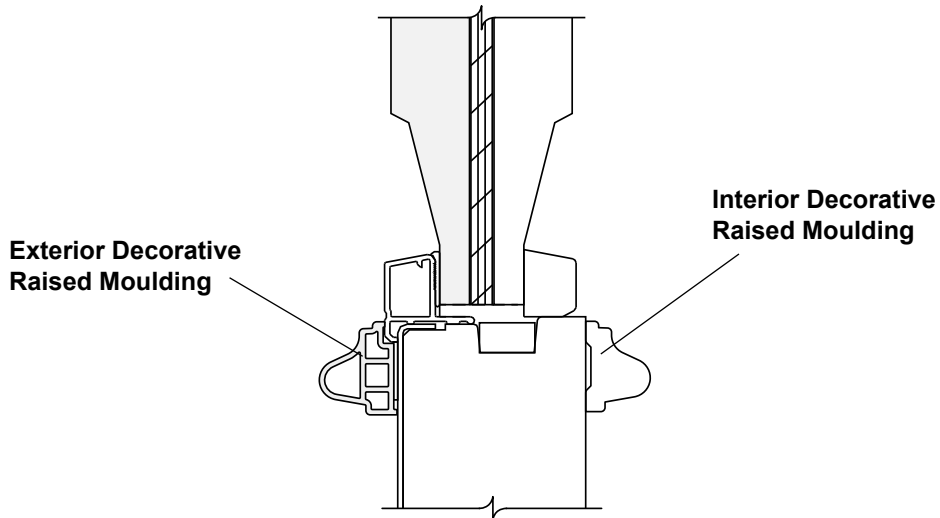
Single and Double Doors

## Panels

### Decorative Raised Mouldings

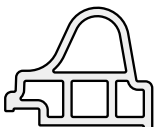
**Note:**

When using decorative raised mouldings the only lockset backset available is 2 $\frac{3}{8}$ ". On 24" doors, raised mouldings will interfere with lockset.

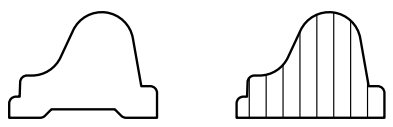


Clad Inswing Entry Doors - Decorative Raised Mouldings

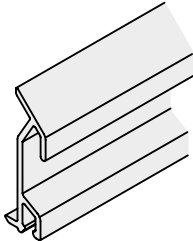
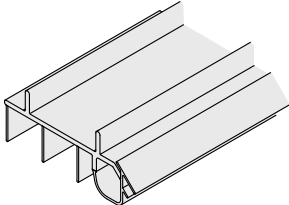
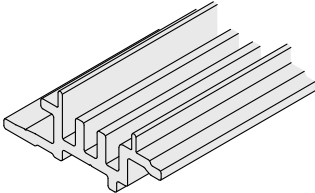
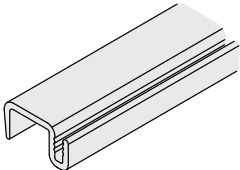
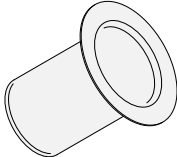
### Decorative Raised Moulding - Exterior / Lineal & Curved / Aluminum

	<p><b>Note:</b> Available in 21 standard and any custom color.</p>	<b>AAP Order No.</b>	<b>AW Order No.</b>
		PF1555	

### Decorative Raised Moulding - Interior / Lineal & Curved / Wood

	<p><b>Note:</b> Available in pine, oak, mahogany, maple, cherry, Douglas fir, alder, and prefinished white.</p>	<b>AAP Order No.</b>	<b>AW Order No.</b>
		PF1470	

**Panels**

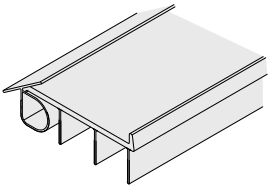
<b>Door Panel Parts</b>			
<b>Watershed - Aluminum</b> <i>Ref. No. 4</i> <a href="#">page 12, 13 &amp; 14</a>			
	<p><b>Note:</b> Available in 21 standard and any custom color.</p>	<b>AAP Order No.</b>	<b>AW Order No.</b>
		PF2190	
<b>Door Sweep - 1 3/4" &amp; 2 1/4" Door Panels</b> <i>Ref. No. 5</i> <a href="#">page 12 &amp; 13</a> <i>(December 2010 - Present)</i>			
	<p><b>Note:</b> Used on active and passive doors.</p>	<b>AAP Order No.</b>	<b>AW Order No.</b>
		PF2188	
<b>Support Block - Stationary Doors / 1 3/4" &amp; 2 1/4" Door Panels</b> <i>Ref. No. 6</i> <a href="#">page 14</a> <i>(December 2010 - Present)</i>			
	<p><b>Note:</b> Used on stationary doors.</p>	<b>AAP Order No.</b>	<b>AW Order No.</b>
		PF2247	
<b>Panel Cap</b> <i>Ref. No. 6</i> <a href="#">page 12 &amp; 13</a>			
	<p><b>Note:</b> Used on active and passive doors. Available in 21 standard and any custom color.</p>	<b>AAP Order No.</b>	<b>AW Order No.</b>
		PF2122	
<b>Eyelet - AW / Passive</b>			
	<p><b>Note:</b> Use with passive lock assembly.</p>	<b>AAP Order No.</b>	<b>AW Order No.</b>
		2228	

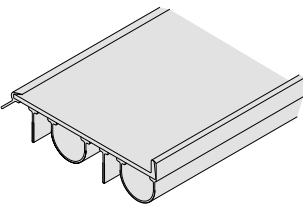


# Andersen® Clad Inswing Entry Doors (2001 to Present)

*Single and Double Doors*

## Panels

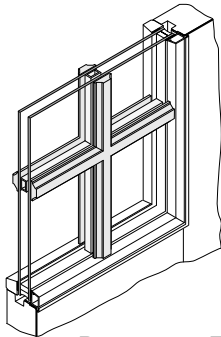
<b>Door Sweep - 1 3/4" Door Panel</b> <i>(Prior to December 2010)</i>			
		<b>Length</b>	<b>AAP Order No.</b>
		48"	105709
			<b>AW Order No.</b> 9050759

<b>Door Sweep - 2 1/4" Door Panel</b> <i>(Prior to December 2010)</i>			
		<b>Length</b>	<b>AAP Order No.</b>
		48"	106291
			<b>AW Order No.</b> 9050766

Grilles

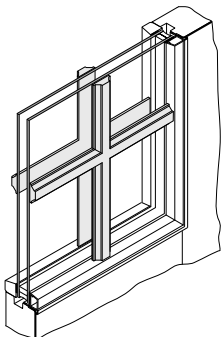
**Interior and Exterior Grilles**

**Full Divided Light**

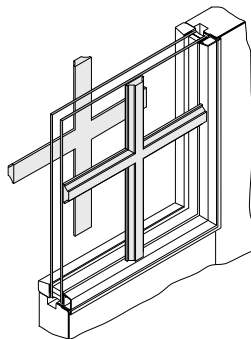


Permanent Exterior  
Permanent Interior  
With Spacer

**Simulated Divided Light**

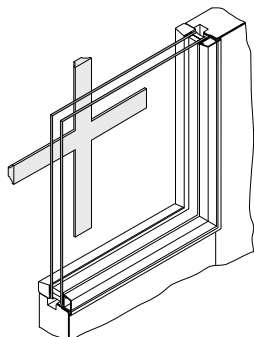


Permanent Exterior  
Permanent Interior

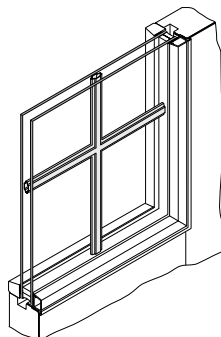


Permanent Exterior  
Removable Interior

**Easy Clean Options**



Removable Interior



Finelight™ Between-the-Glass

**Note:**

Replacement interior and exterior grilles are made to order.

All grille configurations are available with interiors and exteriors to match interiors and exteriors of windows.

To order, state:

1. **Description of Part (interior or exterior and type of grille)**
2. **Quantity**
3. **P number (from product label, see [page 8](#))**

# Andersen® Clad Inswing Entry Doors (2001 to Present)

Single and Double Doors







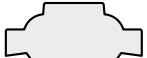
## Grilles

### Grille Profiles - Wood









**Note:**

Standard grille and divided light bars are for interior use only. Available in pine, oak, mahogany, maple, cherry, Douglas fir, alder, and prefinished white.

#### Standard Grille Bars

	Chamfer Style	Roman Ogee Style	Other
3/4"	 PF1717	 PF1828	
7/8"	 PF1718	 PF1829	 GBD178
1 1/8"	 PF1719	 PF1830	

#### Divided Light Bars

	Chamfer Style	Roman Ogee Style
3/4"	 PF1720	
7/8"	 PF1721	 PF1888
1 1/8"	 PF1722	 PF1889
1 1/2"	 PF2050	 PF1954
2 1/4"	 PF1723	

### Clad Inswing Entry Doors - Wood Grille Profiles

**Grilles**

**Grille Profiles - Aluminum**

**Note:**

Aluminum divided light bars are for exterior use only. Available in 21 standard and any custom color.

**Divided Light Bars**

**Chamfer Style**

**Roman Ogee Style**

3/4"



PF1780

7/8"



PF1781



PF1861

1 1/8"

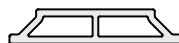


PF1782



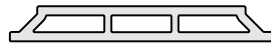
PF1862

1 1/2"



PF1953

2 1/4"



PF1783

**Clad Inswing Entry Doors - Aluminum Grille Profiles**

**Grille Profiles - Fibrex™**

**Note:**

Fibrex™ divided light bars are for interior and exterior use. Available in 21 standard and any custom color.

**Divided Light Bars**

**Chamfer Style**

3/4"



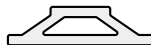
PF1623

7/8"



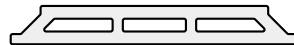
PF1624

1 1/8"



PF1625

2 1/4"



PF1626

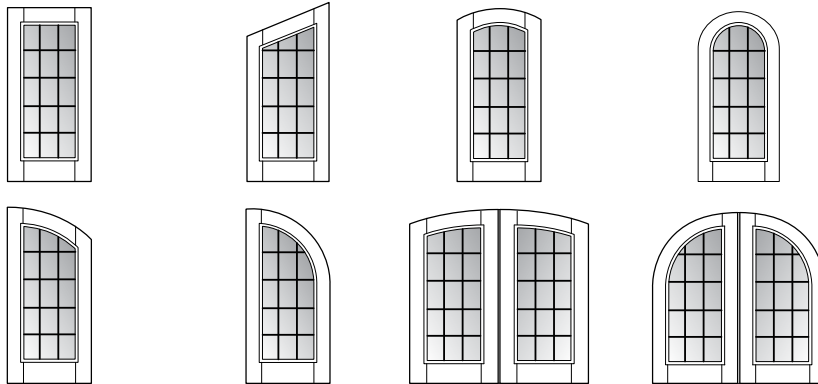
**Clad Inswing Entry Doors - Fibrex™ Grille Profiles**

### Standard Grille Patterns

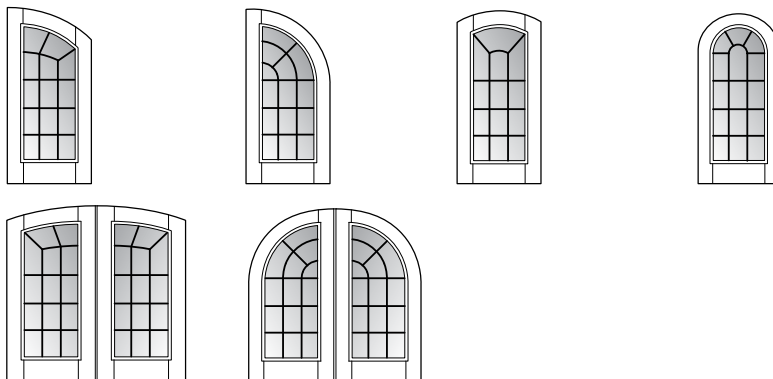
**Note:**

Custom grille patterns are available.

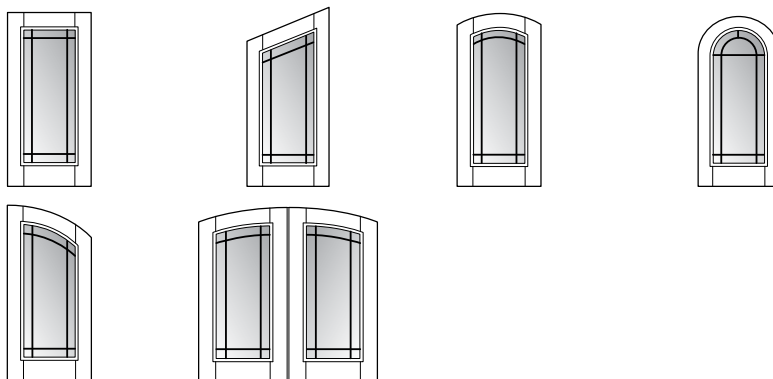
#### Colonial



#### Renaissance



#### Prairie




### Clad Inswing Entry Doors - Grille Patterns

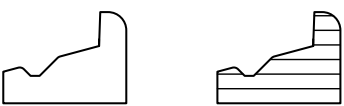
**Grilles**

**Grille Parts**


**Grille Surround - 1/2" - Lineal & Curved**

	<p><b>Note:</b> Used with PF1008 &amp; PF1016 glass stop. Available in pine, oak, mahogany, maple, cherry, Douglas fir, alder, and prefinished white.</p>	<b>AAP Order No.</b>	<b>AW Order No.</b>
		PF1108	

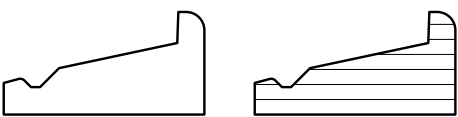
**Grille Surround - 5/8" - Lineal & Curved**

	<p><b>Note:</b> Used with PF1755 glass stop. Available in pine, oak, mahogany, maple, cherry, Douglas fir, alder, and prefinished white.</p>	<b>AAP Order No.</b>	<b>AW Order No.</b>
		PF1756	

**Grille Surround - 15/16" - Lineal & Curved**

	<p><b>Note:</b> Used with PF1483 glass stop. Available in pine, oak, mahogany, maple, cherry, Douglas fir, alder, and prefinished white.</p>	<b>AAP Order No.</b>	<b>AW Order No.</b>
		PF1871	

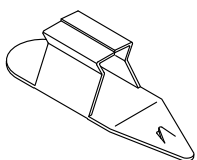
**Grille Surround - 1 3/16" - Lineal & Curved**

	<p><b>Note:</b> Used with PF1011 glass stop. Available in pine, oak, mahogany, maple, cherry, Douglas fir, alder, and prefinished white.</p>	<b>AAP Order No.</b>	<b>AW Order No.</b>
		PF1230	

**Surround Clip**

		<b>AAP Order No.</b>	<b>AW Order No.</b>
		1364	

**End Clip - Grilles** *(September 2007 to Present)*

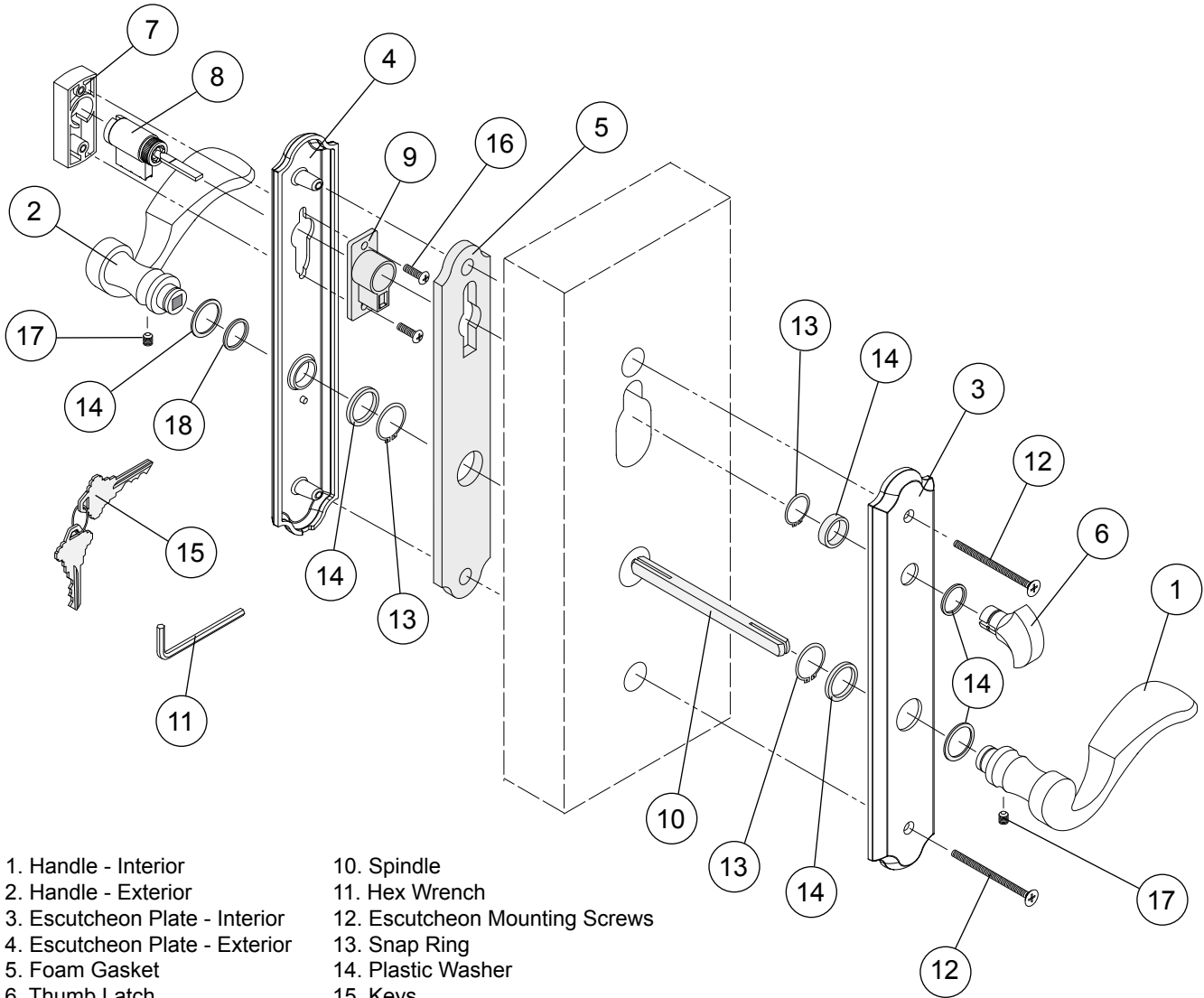
		<b>Color</b>	<b>AAP Order No.</b>	<b>AW Order No.</b>
		White	105444	
		Terratone™	105445	
		Sandtone	105446	9050872
		Forest Green	105447	

## Trim Set Illustration - GU / Active

**Note:**

Use this active trim set with the GU active lock system. This trim set configuration has the deadbolt above the handle. Left-handed trim set shown below. Available from July 2007 to present with design change March 2012.

Components shown are not available individually - they must be ordered as part of the complete trim set.



- |                                         |                                              |
|-----------------------------------------|----------------------------------------------|
| 1. Handle - Interior                    | 10. Spindle                                  |
| 2. Handle - Exterior                    | 11. Hex Wrench                               |
| 3. Escutcheon Plate - Interior          | 12. Escutcheon Mounting Screws               |
| 4. Escutcheon Plate - Exterior          | 13. Snap Ring                                |
| 5. Foam Gasket                          | 14. Plastic Washer                           |
| 6. Thumb Latch                          | 15. Keys                                     |
| 7. Exterior Keyed Lock Cylinder Housing | 16. Exterior Keyed Lock Cylinder Plate Bolts |
| 8. Exterior Keyed Lock Cylinder         | 17. Handle Set Screw                         |
| 9. Exterior Keyed Lock Cylinder Plate   | 18. Rubber O Ring                            |

### Clad Inswing Entry Doors - Active Trim Set

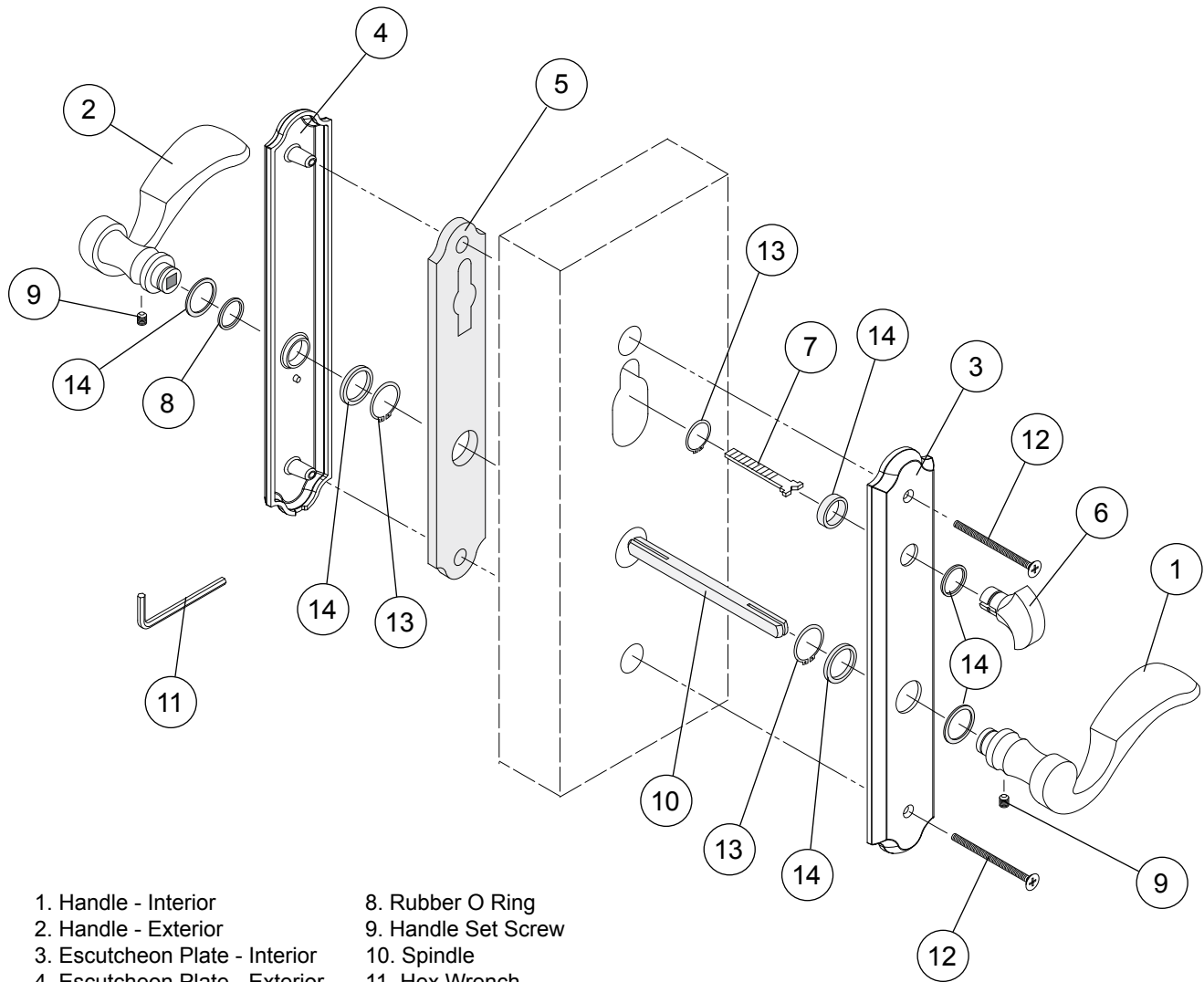
**Hardware**

**Trim Set Illustration - GU / Semi Active**

**Note:**

Use this semi-active trim set with the GU passive lock system. This trim set configuration has the deadbolt above the handle. Left-handed trim set shown below. Available from July 2007 to present with design change March 2012.

Components shown are not available individually - they must be ordered as part of the complete trim set.



- |                                |                                |
|--------------------------------|--------------------------------|
| 1. Handle - Interior           | 8. Rubber O Ring               |
| 2. Handle - Exterior           | 9. Handle Set Screw            |
| 3. Escutcheon Plate - Interior | 10. Spindle                    |
| 4. Escutcheon Plate - Exterior | 11. Hex Wrench                 |
| 5. Foam Gasket                 | 12. Escutcheon Mounting Screws |
| 6. Thumb Latch                 | 13. Snap Ring                  |
| 7. Latch Tail Piece            | 14. Plastic Washer             |

**Clad Inswing Entry Doors - Semi-Active Trim Set**

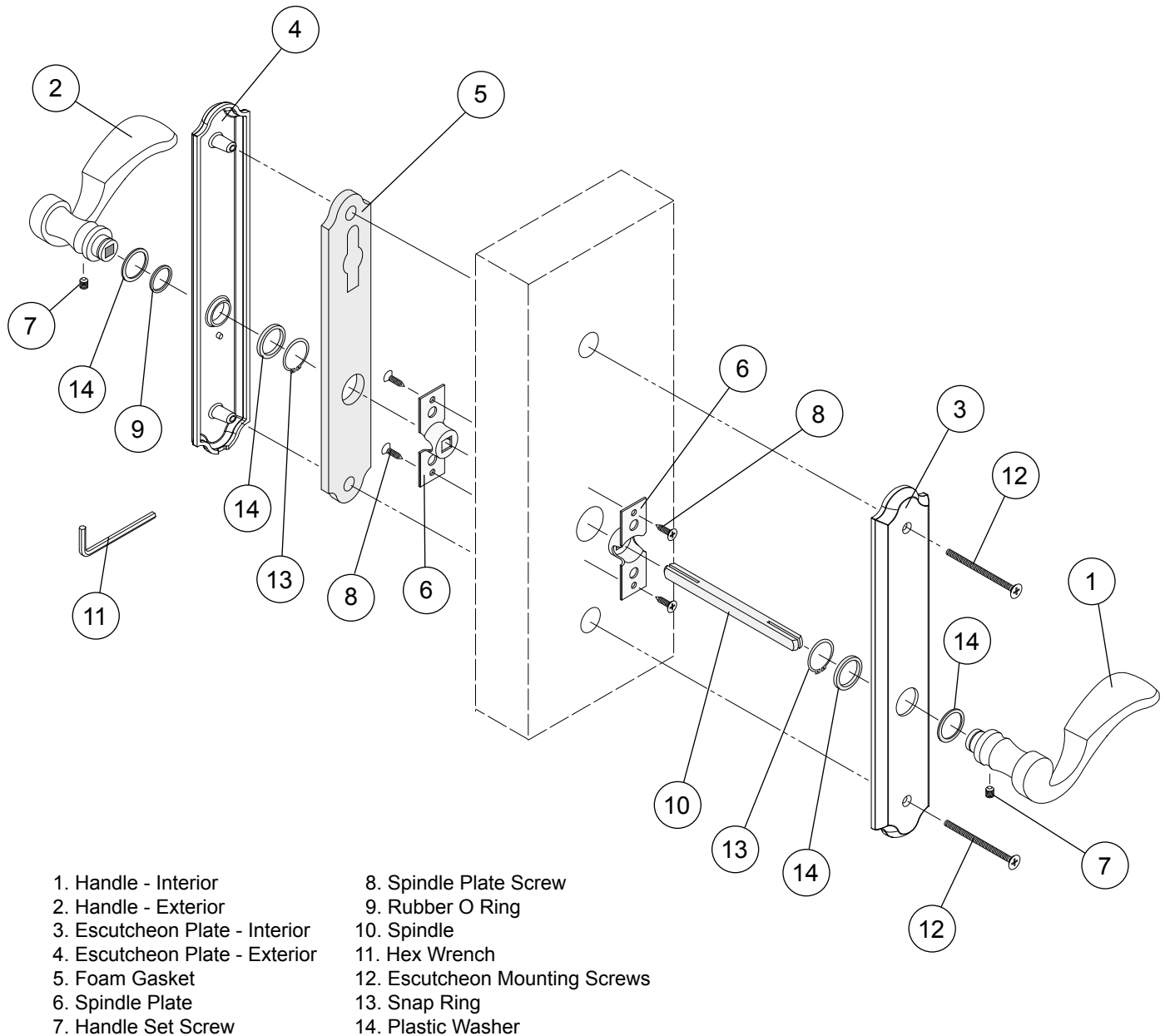


## Trim Set Illustration - GU / Dummy

**Note:**

Use this dummy trim set with the GU lock system on stationary doors and passive doors with flush bolts. This trim set configuration has the deadbolt above the handle. Left-handed trim set shown below. Available from July 2007 to present with design change March 2012.

Components shown are not available individually - they must be ordered as part of the complete trim set.



- |                                |                                |
|--------------------------------|--------------------------------|
| 1. Handle - Interior           | 8. Spindle Plate Screw         |
| 2. Handle - Exterior           | 9. Rubber O Ring               |
| 3. Escutcheon Plate - Interior | 10. Spindle                    |
| 4. Escutcheon Plate - Exterior | 11. Hex Wrench                 |
| 5. Foam Gasket                 | 12. Escutcheon Mounting Screws |
| 6. Spindle Plate               | 13. Snap Ring                  |
| 7. Handle Set Screw            | 14. Plastic Washer             |

### Clad Inswing Entry Doors - Dummy Trim Set

**Hardware**

**Trim Set**

**Note:**

Used with GU lock system. (July 2007 to Present - design change March 2012)

<b>Active Trim Sets</b> <i>(July 2007 to Present)</i>					
	<b>Finish</b>	<b>Left</b>		<b>Right</b>	
		<b>AAP Order No.</b>	<b>AW Order No.</b>	<b>AAP Order No.</b>	<b>AW Order No.</b>
	Satin Chrome	114441		114444	
	Polished Brass	114439		114442	
	Oil Rubbed Bronze	114440		114443	

<b>Semi-Active Trim Sets</b> <i>(July 2007 to Present)</i>					
	<b>Finish</b>	<b>Left</b>		<b>Right</b>	
		<b>AAP Order No.</b>	<b>AW Order No.</b>	<b>AAP Order No.</b>	<b>AW Order No.</b>
	Satin Chrome	114435		114438	
	Polished Brass	114433		114436	
	Oil Rubbed Bronze	114434		114437	

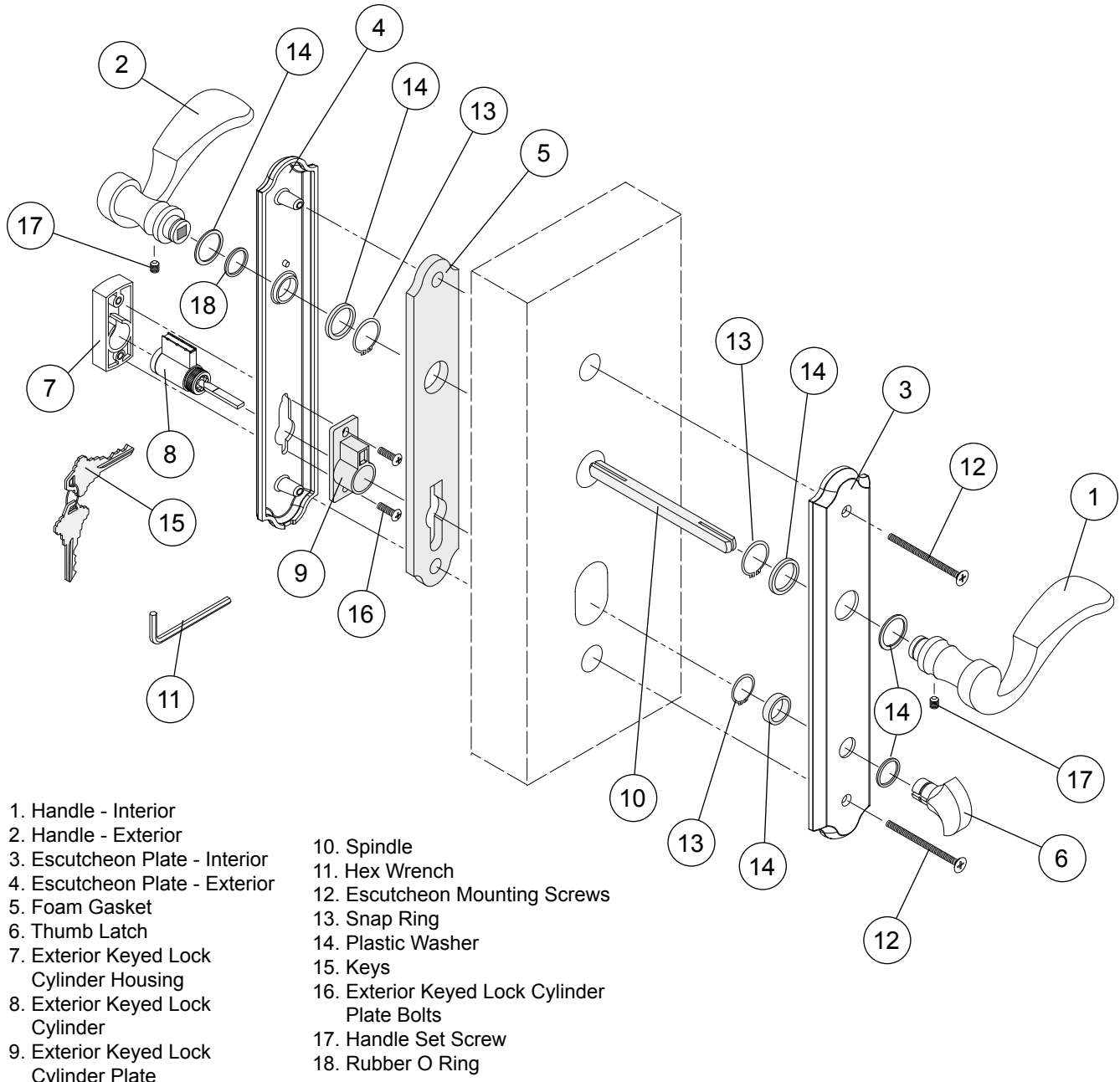
<b>Dummy Trim Sets</b> <i>(July 2007 to Present)</i>					
	<b>Finish</b>	<b>Left</b>		<b>Right</b>	
		<b>AAP Order No.</b>	<b>AW Order No.</b>	<b>AAP Order No.</b>	<b>AW Order No.</b>
	Satin Chrome	114429		114432	
	Polished Brass	114427		114430	
	Oil Rubbed Bronze	114428		114431	

## Trim Set Illustrations - European / Active

**Note:**

Use this active trim set with the Old GU active lock system (October 2001 to Present). The European configuration has the deadbolt below the handle. Left-handed trim set shown below. Was available from October 2001 to June 2007.

Components shown are not available individually - they must be ordered as part of the complete trim set.



**Clad Inswing Entry Doors - European Active Trim Set**

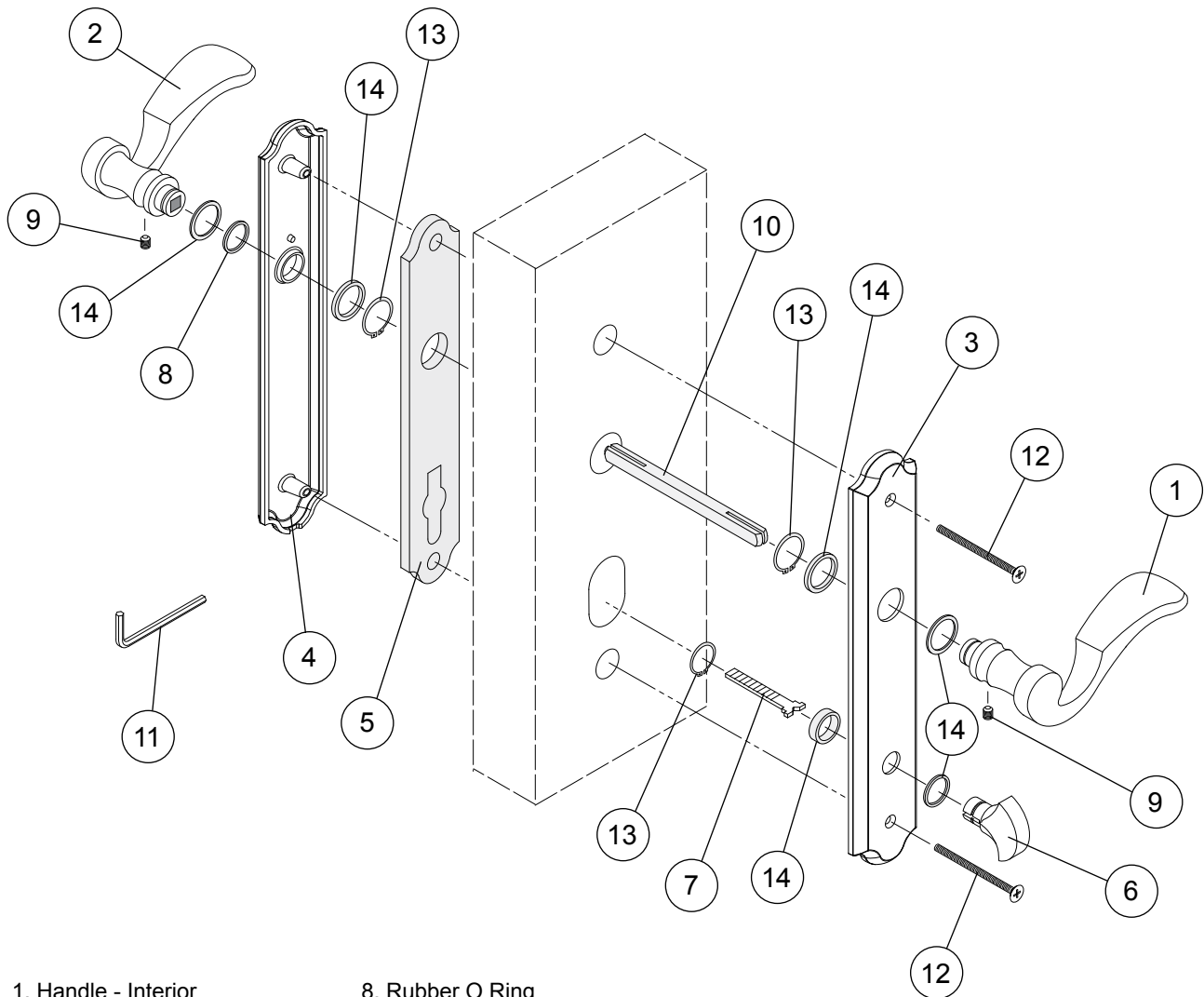
**Hardware**

**Trim Set Illustration - European / Semi Active**

**Note:**

Use this semi-active trim set with the Old GU passive lock system (October 2001 to Present). The European configuration has the deadbolt below the handle. Left-handed trim set shown below. Was available from October 2001 to June 2007.

Components shown are not available individually - they must be ordered as part of the complete trim set.



- |                                |                                |
|--------------------------------|--------------------------------|
| 1. Handle - Interior           | 8. Rubber O Ring               |
| 2. Handle - Exterior           | 9. Handle Set Screw            |
| 3. Escutcheon Plate - Interior | 10. Spindle                    |
| 4. Escutcheon Plate - Exterior | 11. Hex Wrench                 |
| 5. Foam Gasket                 | 12. Escutcheon Mounting Screws |
| 6. Thumb Latch                 | 13. Snap Ring                  |
| 7. Latch Tail Piece            | 14. Plastic Washer             |

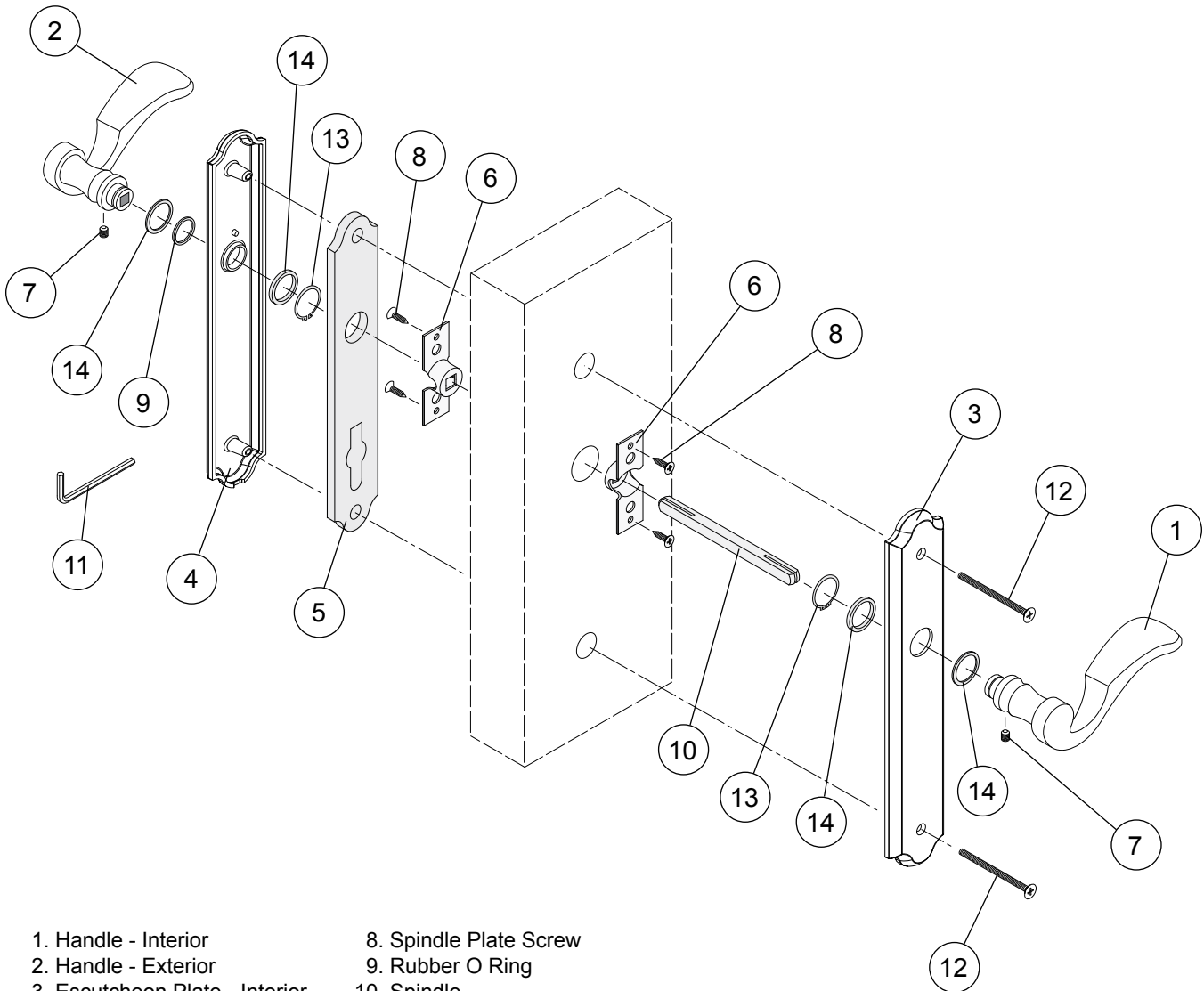
**Clad Inswing Entry Doors - European Semi-Active Trim Set**

## Trim Set Illustration - European / Dummy

**Note:**

Use this dummy trim set with the Old GU lock system (October 2001 to Present) on stationary doors and passive doors with flush bolts. The European configuration has the deadbolt below the handle. Left-handed trim set shown below. Was available from October 2001 to June 2007.

Components shown are not available individually - they must be ordered as part of the complete trim set.



- |                                |                                |
|--------------------------------|--------------------------------|
| 1. Handle - Interior           | 8. Spindle Plate Screw         |
| 2. Handle - Exterior           | 9. Rubber O Ring               |
| 3. Escutcheon Plate - Interior | 10. Spindle                    |
| 4. Escutcheon Plate - Exterior | 11. Hex Wrench                 |
| 5. Foam Gasket                 | 12. Escutcheon Mounting Screws |
| 6. Spindle Plate               | 13. Snap Ring                  |
| 7. Handle Set Screw            | 14. Plastic Washer             |

### Clad Inswing Entry Doors - European Dummy Trim Set

**Hardware**

**Trim Sets- European**

**Note:**

Used with old GU lock system. (from October 2001 to June 2007)

<b>Trim Set - European / Active</b> (October 2001 to June 2007)					
	<b>Finish</b>	<b>Left</b>		<b>Right</b>	
		<b>AAP Order No.</b>	<b>AW Order No.</b>	<b>AAP Order No.</b>	<b>AW Order No.</b>
	Satin Chrome	105487		105488	
	Polished Chrome	105145		105146	
	Polished Brass	103603		103609	
	Antique Brass	103604		103610	
	Oil Rubbed Bronze	105072		105073	
	Dark Bronze	103605		103611	
	Pewter	103606		103612	
	White	103607		103613	

<b>Trim Set - European / Semi-Active</b> (October 2001 to June 2007)					
	<b>Finish</b>	<b>Left</b>		<b>Right</b>	
		<b>AAP Order No.</b>	<b>AW Order No.</b>	<b>AAP Order No.</b>	<b>AW Order No.</b>
	Satin Chrome	105491		105492	
	Polished Chrome	105149		105150	
	Polished Brass	104921		104927	
	Antique Brass	104922		104928	
	Oil Rubbed Bronze	105076		105077	
	Dark Bronze	104923		104929	
	Pewter	104924		104930	
	White	104925		104931	

<b>Trim Set - European / Dummy</b> (October 2001 to June 2007)					
	<b>Finish</b>	<b>Left</b>		<b>Right</b>	
		<b>AAP Order No.</b>	<b>AW Order No.</b>	<b>AAP Order No.</b>	<b>AW Order No.</b>
	Satin Chrome	105489		105490	
	Polished Chrome	105147		105148	
	Polished Brass	103615		103621	
	Antique Brass	103616		103622	
	Oil Rubbed Bronze	105074		105075	
	Dark Bronze	103617		103623	
	Pewter	103618		103624	
	White	103619		103625	

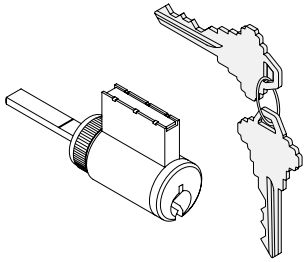
# Andersen® Clad Inswing Entry Doors (2001 to Present)

Single and Double Doors

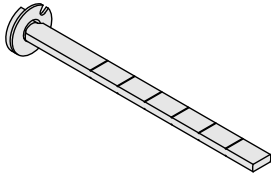
## Hardware

### Shared Trim Set Parts

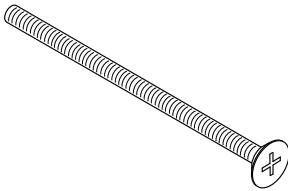
#### Exterior Keyed Lock Cylinder - Active *Ref. No. 8 [page 31](#) & [35](#)*

	<b>Note:</b> Use on active trim sets only.	<b>AAP Order No.</b>	<b>AW Order No.</b>
		103561	9050732

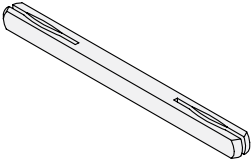
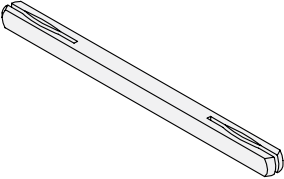
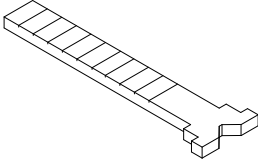
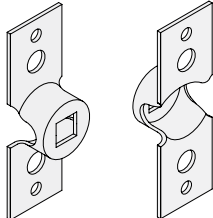
#### Tail Piece Extension - Lock Cylinder / 2 1/4" Door Panel

	<b>Note:</b> For 2 1/4" door panels with active trim sets.	<b>AAP Order No.</b>	<b>AW Order No.</b>
		103645	9050733

#### Bolt - Escutcheon Mounting / 65mm / 2 1/4" Door Panels *Ref. No. 12 [page 31](#), [32](#), [33](#), [35](#), [36](#) & [37](#)*

	<b>Note:</b> Use for 2 1/4" door panels. Each trim set requires 2 screws.	<b>Finish</b>	<b>AAP Order No.</b>	<b>AW Order No.</b>
		Satin Chrome	105495	9050755
		Oil Rubbed Bronze	105080	9050750

**Hardware**

<b>Spindle - 8mm x 110mm / 1 3/4" Door Panels</b> <i>Ref. No. 10 <a href="#">page 31</a>, <a href="#">32</a>, <a href="#">33</a>, <a href="#">35</a>, <a href="#">36</a> &amp; <a href="#">37</a></i>			
	<b>Note:</b> Use for 1 3/4" door panels.	<b>AAP Order No.</b>	<b>AW Order No.</b>
		103562	9050875
<b>Spindle - 8mm x 120mm / 2 1/4" Door Panels</b> <i>Ref. No. 10 <a href="#">page 31</a>, <a href="#">32</a>, <a href="#">33</a>, <a href="#">35</a>, <a href="#">36</a> &amp; <a href="#">37</a></i>			
	<b>Note:</b> Use for 2 1/4" door panels.	<b>AAP Order No.</b>	<b>AW Order No.</b>
		103646	9050734
<b>Latch Tail Piece - Semi-Active</b> <i>Ref. No. 7 <a href="#">page 32</a> &amp; <a href="#">36</a></i>			
	<b>Note:</b> Use on semi-active trim sets only.	<b>AAP Order No.</b>	<b>AW Order No.</b>
		103644	
<b>Spindle Plate Kit - Dummy</b> <i>Ref. No. 6 <a href="#">page 33</a> &amp; <a href="#">37</a></i>			
	<b>Note:</b> Use on dummy trim sets only.	<b>AAP Order No.</b>	<b>AW Order No.</b>
		106060	



# Andersen® Clad Inswing Entry Doors (2001 to Present)

Single and Double Doors

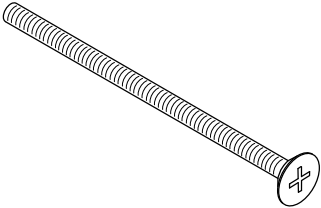
## Hardware

### Trim Set Parts - AW / 2 1/4" Door Panel

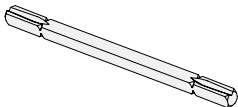
**Note:**

These parts are used to adjust AW trim sets for application on a 2 1/4" thick door panel. Parts are compatible with Newbury®, Covington®, Yuma®, Whitmore®, Encino®, Anvers®, Albany, and Tribeca® trim sets. AW trim sets available from your Andersen® supplier.

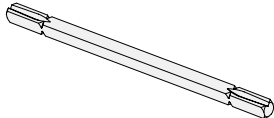
### Bolt - Escutcheon Mounting / 65mm / 2 1/4" Door Panels

	<p><b>Note:</b> #8-32 UNC x 65mm. For installing active, passive and dummy AW trim sets onto 2 1/4" door panels.</p>	<b>Finish</b>	<b>AAP Order No.</b>	<b>AW Order No.</b>
		Antique Brass	113729	9050881
		Bright Brass	113730	9050882
		Brushed Chrome	113731	9050883
		Distressed Bronze	113732	9050884
		Distressed Nickel	113733	9050885
		Oil Rubbed Bronze	113734	9050886
		Polished Chrome	113735	9050887
		Satin Nickel	113736	9050888
		White	113772	9050889
		Stone	113773	9050890
		Gold Dust	113774	9050891
Black	113775	9050892		

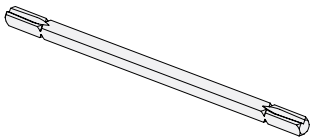
### Spindle - 8mm x 4 1/4" / 2 1/4" Door Panels

	<p><b>Note:</b> For installing active, passive and dummy AW trim sets onto 2 1/4" door panels.</p>	<b>AAP Order No.</b>	<b>AW Order No.</b>
		113737	9050893

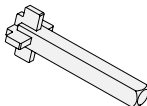
### Spindle - 8mm x 5 1/4" / 2 1/4" Door Panels

	<p><b>Note:</b> For installing active, passive and dummy AW trim sets with 1 handle extender onto 2 1/4" door panels.</p>	<b>AAP Order No.</b>	<b>AW Order No.</b>
		113738	9050894

### Spindle - 8mm x 6 1/4" / 2 1/4" Door Panels

	<p><b>Note:</b> For installing active, passive and dummy AW trim sets with 2 handle extenders onto 2 1/4" door panels.</p>	<b>AAP Order No.</b>	<b>AW Order No.</b>
		113739	9050895

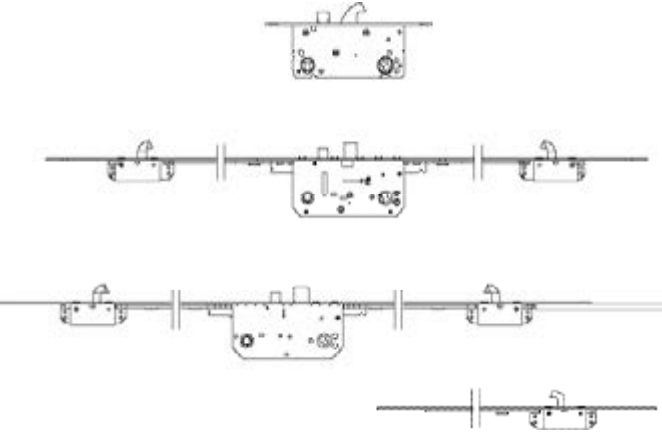
### Lock Actuator - 2 1/4" Door Panel

	<p><b>Note:</b> For installing active AW trim sets onto inswing 2 1/4" door panels.</p>	<b>AAP Order No.</b>	<b>AW Order No.</b>
		113726	9050896

**Hardware**

**Lock Assembly - AW**

**Lock Assembly - AW / Active** (July 2007 to Present)



**Single Point Active Lock**

**Multi-Point Active Lock**

**Multi-Point Active Lock / Extendable**

**Lock Extension**

**Clad Inswing Entry Doors - AW Active Lock Assembly**

**Height Range - Door Panel / AW / Active**

Lock Configuration	Single Rectangular & All Double Doors	Single Arch Top (Leg Height)	Single Springline™ (Leg Height)
Single Lock	82" EFS Maximum	82" EFS Maximum	82" EFS Maximum
6' - 8" Multi-Point	76 1/8" - 89 27/32"	73 3/4" - 87 15/32"	72 1/8" - 85 27/32"
8' Multi-Point	89 7/8" - 98"	87 1/2" - 95 1/2"	85 7/8" - 95 1/2"
Extended Multi-Point	98 1/32" - 119 1/2"	95 17/32" - 119"	95 17/32" - 101 1/32"

**Note:** Trim sets for this hardware can be purchased from your Andersen® supplier.

**Lock Mechanism - AW / Active / Single Point** (July 2007 to Present)

	Orientation	AAP Order No.	AW Order No.
	Right	109882	9050793
	Left	109883	9050794

**Lock Mechanism - AW / Active / Multi-Point** (Mar 2012 to Present)

Note:	Size	AAP Order No.	AW Order No.
AW multi-point active locks are not handed.	6' - 8"	114377	
	8'	114378	

**Lock Mechanism - AW / Active / Multi-Point / Extended** (Nov 2017 to Present)

Note:	Part	AAP Order No.	AW Order No.
AW multi-point active locks are not handed. Extensions are handed and require the original order info to be supplied.	Lock	113583	
	Extension - Right	113585	
	Extension - Left	113586	

**Lock Mechanism - AW / Active / Multi-Point** (July 2007 to Mar 2012)

Note:	Size	AAP Order No.	AW Order No.
AW multi-point active locks are not handed.	6' - 8"	109832	9050789
	8'	112555	

# Andersen® Clad Inswing Entry Doors (2001 to Present)

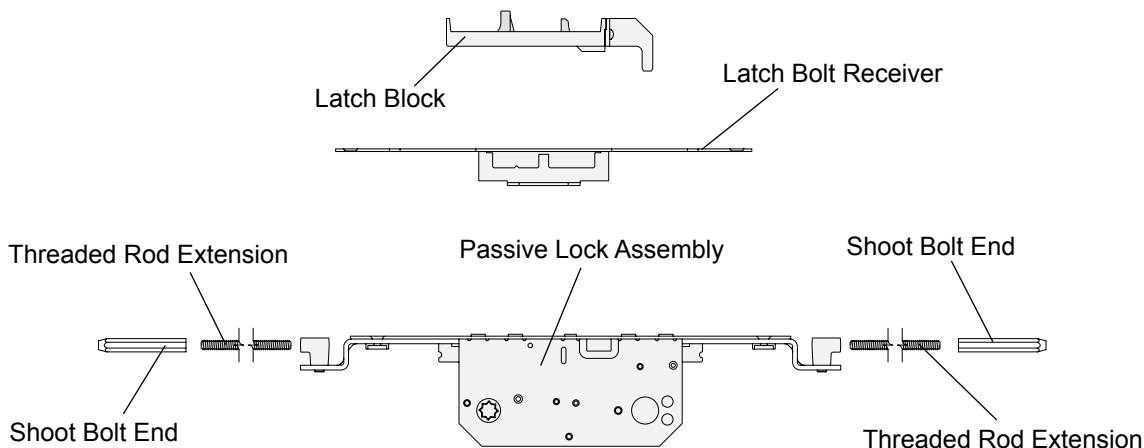
*Single and Double Doors*

## Hardware

### Lock Assembly - AW / Passive *(July 2007 to Present)*

**Note:**

AW passive locks are not handed. Trim sets for this hardware can be purchased from your Andersen® supplier.



**Clad Inswing Entry Doors - AW Passive Lock Assembly**

### Lock Mechanism - AW / Passive *(July 2007 to Present)*

	<b>AAP Order No.</b>	<b>AW Order No.</b>
	112542	9050808

### Latch Bolt Receiver Assembly - AW / Passive *(March 2012 to Present)*

<b>Note:</b> Includes latch bolt receiver and latch block.	<b>AAP Order No.</b>	<b>AW Order No.</b>
	112543	9050809

### Latch Bolt Receiver Assembly - Modified / AW / Passive *(July 2007 to March 2012)*

<b>Note:</b> Includes modified latch bolt receiver and latch block.	<b>AAP Order No.</b>	<b>AW Order No.</b>
	112705	9050824

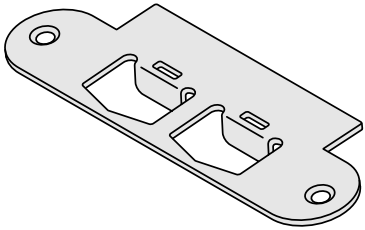
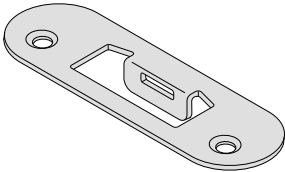
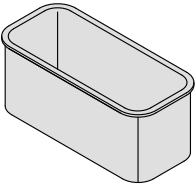
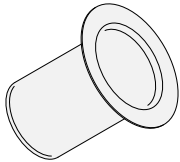
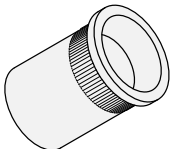
### Shoot Bolt Ends - AW / Passive *(November 2011 to Present)*

	<b>AAP Order No.</b>	<b>AW Order No.</b>
	114101	

### Threaded Rod Extension - 1/4" - 20 UNC / Stainless Steel *(November 2011 to Present)*

	<b>AAP Order No.</b>	<b>AW Order No.</b>
	PF2566	

Hardware

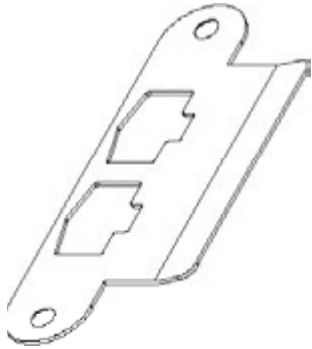
<b>Lock Parts - AW</b>			
<b>Strike Plate - AW / Active / Central</b> <i>(July 2007 to Present)</i>			
	<b>Note:</b> Use with the active lock system on single doors.	AAP Order No.	AW Order No.
		113375	9050897
<b>Strike Plate - AW / Active / Multi-Point / Hook Bolt</b> <i>(July 2007 to Present)</i>			
	<b>Note:</b> Use with multi-point locks.	AAP Order No.	AW Order No.
		113438	9050898
<b>Dust Cup - AW / Active / Hook Bolt</b> <i>(July 2007 to Present)</i>			
	<b>Note:</b> Use behind hook bolt strike plates.	AAP Order No.	AW Order No.
		113437	9050899
<b>Eyelet - AW / Passive</b> <i>(July 2007 to Present)</i>			
	<b>Note:</b> Use with passive lock assembly.	AAP Order No.	AW Order No.
		2228	
<b>Shoot Bolt Cup - AW / Passive</b> <i>(July 2007 to December 2010)</i>			
	<b>Note:</b> Use with the passive lock assembly.	AAP Order No.	AW Order No.
		112470	9050807

# Andersen® Clad Inswing Entry Doors (2001 to Present)

Single and Double Doors

## Lock Parts - AW

### Strike Plate - AW / Active / Extended Central *(July 2017 to Present)*



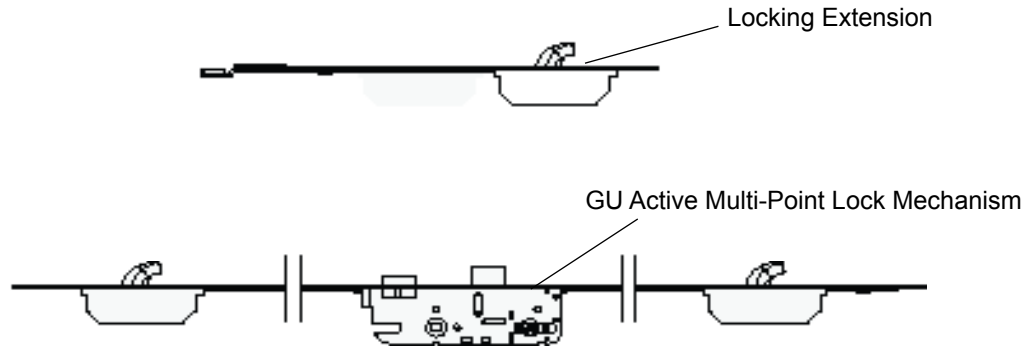
**Note:**  
Use with the active lock system on single doors.

Finish	AAP Order No.	AW Order No.
Bright Brass	115718	
Antique Brass	115719	
Polished Chrome	115720	
Brushed Chrome	115721	
Satin Nickel	115722	
Oil Rubbed Bronze	115723	
White	115724	
Stone	115725	
Gold Dust	115726	
Black	115727	
Distressed Nickel	115728	

**Lock Assembly - GU**

**Lock Assembly - GU / Active** (August 2015 - Present)

**Note:**  
GU active locks are not handed.



**Clad Inswing Entry Doors - GU Active Lock Assembly**

**Height Range - Door Panel / GU / Active**

Lock Configuration	Single Rectangular & All Double Doors	Single Arch Top (Leg Height)	Single Springline™ (Leg Height)
6' - 8" Lock Mechanism	79" - 91 7/32"	77 3/32" - 89 3/32"	75" - 86 31/32"
8' Lock Mechanism	91 1/4" - 99 1/2"	89 1/8" - 98 3/32"	87" - 95 15/32"
6' - 8" Lock with Locking Extension	99 17/32" - 109 3/16"	98 1/8" - 108 3/32"	95 1/2" - 105"
8' Lock with Locking Extension	109 7/32" - 119 1/4"	108 1/8" - 119 1/4"	N/A

**Lock Mechanism - GU / Active / Multi-Point** (August 2015 - Present)

	Size	AAP Order No.	AW Order No.
	6' - 8"	115282	
	8'	115283	

**Extension - GU / Active / Locking** (August 2015 - Present)

	AAP Order No.	AW Order No.
	115333	

# Andersen® Clad Inswing Entry Doors (2001 to Present)

*Single and Double Doors*

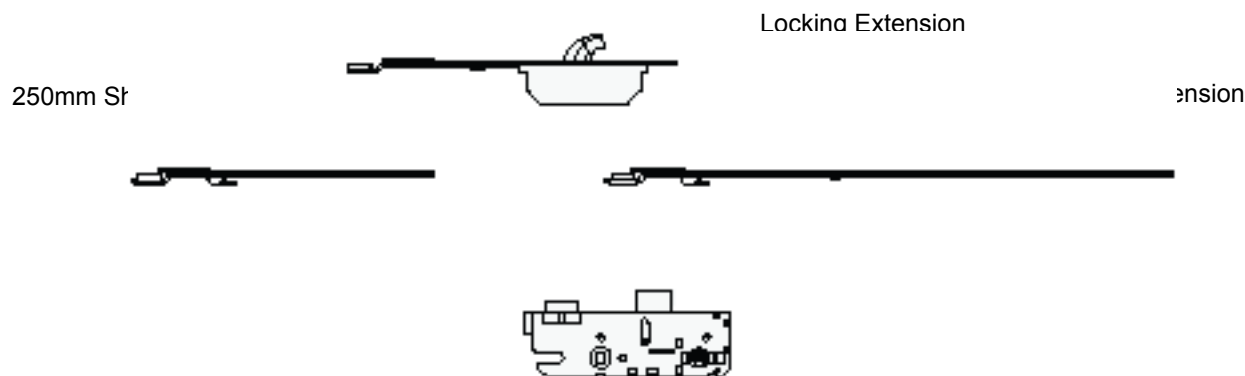
## Hardware

### Lock Assembly - GU

#### Lock Assembly - GU / Active *(July 2007 to August 2015)*

**Note:**

GU active locks are not handed.



**Clad Inswing Entry Doors - GU Active Lock Assembly**

#### Height Range - Door Panel / GU / Active

Lock Configuration	Single Rectangular & All Double Doors	Single Arch Top (Leg Height)	Single Springline™ (Leg Height)
6' - 8" Lock Mechanism	79" - 89 17/32"	76 5/8" - 87 5/32"	75 1/16" - 85 19/32"
6' - 8" Lock with Locking Extension	89 9/16" - 92 29/32"	87 3/16" - 89 27/32"	85 5/8" - 88 9/32"
8' Lock Mechanism	92 15/16" - 99 5/16"	89 7/8" - 96 29/32"	88 5/16" - 95 11/32"
6' - 8" Lock with Short & Locking Extension	99 11/32" - 109 5/32"	96 15/16" - 106 3/4"	95 3/8" - 105 5/32"
6' - 8" Lock with Long & Locking Extension	109 3/16" - 118 31/32"	106 25/32" - 116 9/16"	105 3/16" - 144 31/32"
6' - 8" Lock with Short, Long & Locking Exten.	119" - 129"	116 19/32" - 126"	115" - 130"

#### Central Lock Box Mechanism - GU / Active / Multi-Point *(July 2007 to August 2015)*

	Size	AAP Order No.	AW Order No.
	Universal	115690	

#### Extension - GU / Active / Locking *(July 2007 to August 2015)*

	AAP Order No.	AW Order No.
	107378	9050785

#### Extension - GU / Active / Short *(July 2007 to August 2015)*

Length = 250mm	AAP Order No.	AW Order No.
	107377	9050784

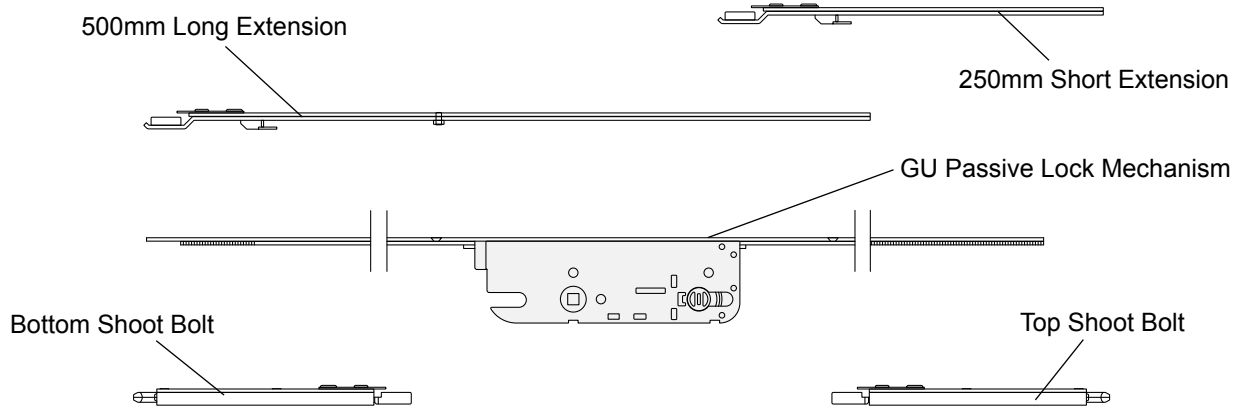
#### Extension - GU / Active / Long *(July 2007 to August 2015)*

Length = 500mm	AAP Order No.	AW Order No.
	107376	9050783

**Hardware**

**Lock Assembly - GU / Passive** *(July 2007 to Present)*

**Note:**  
GU passive locks are not handed.



**Clad Inswing Entry Doors - GU Passive Lock Assembly**

<b>Height Range - Door Panel / GU / Passive</b>	
<b>Lock Configuration</b>	<b>E.F.S. Height Range</b>
Lock Mechanism with Shoot Bolts	79 1/2" - 85 21/32"
Lock Mechanism with Shoot Bolts & Short Extension	85 11/16" - 95 1/2"
Lock Mechanism with Shoot Bolts & Long Extension	95 17/32" - 105 11/32"
Lock Mechanism with Shoot Bolts & Short & Long Extension	105 3/8" - 115 5/32"
Lock Mechanism with Shoot Bolts & (2) Long Extensions	115 3/16" - 125 1/32"

<b>Lock Mechanism - GU / Passive</b> <i>(July 2007 to Present)</i>		
	<b>AAP Order No.</b>	<b>AW Order No.</b>
	107379	

<b>Shoot Bolt - GU / Passive</b> <i>(July 2007 to Present)</i>			
	<b>Orientation</b>	<b>AAP Order No.</b>	<b>AW Order No.</b>
	Top	105169	9050752
	Bottom	105170	9050753

<b>Extension - GU / Passive / Short</b> <i>(July 2007 to Present)</i>		
	<b>AAP Order No.</b>	<b>AW Order No.</b>
Length = 250mm	107377	

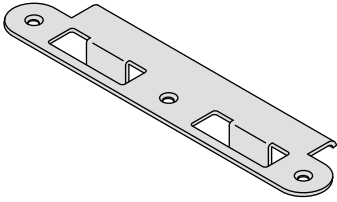
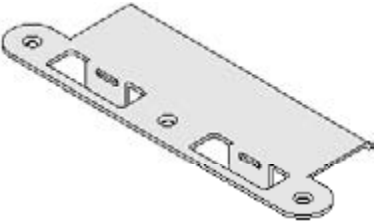
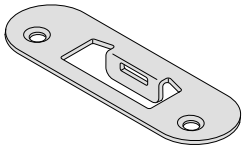
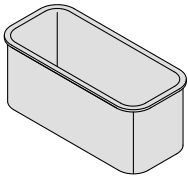
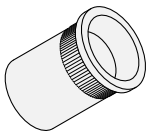
<b>Extension - GU / Passive / Long</b> <i>(July 2007 to Present)</i>		
	<b>AAP Order No.</b>	<b>AW Order No.</b>
Length = 500mm	107376	



# Andersen® Clad Inswing Entry Doors (2001 to Present)

Single and Double Doors

## Hardware

<b>Lock Parts - GU</b>			
<b>Strike Plate - GU / Active / Central / Short Lip / Stainless Steel</b> (July 2007 to Present)			
	<b>Note:</b> Used with active lock system on single doors with no interior jamb extension and double doors.	AAP Order No.	AW Order No.
		109813	9050787
<b>Strike Plate - GU / Active / Central / Medium Lip / Stainless Steel</b> (December 2010 to Present)			
	<b>Note:</b> Used with active lock system on single doors with 5/8" interior jamb extension.	AAP Order No.	AW Order No.
		109860	9050792
<b>Strike Plate - GU / Active / Hook Bolt / Stainless Steel</b> (July 2007 to Present)			
	<b>Note:</b> Used with active lock system.	AAP Order No.	AW Order No.
		113438	9050898
<b>Dust Cup - GU / Active / Hook Bolt</b> (July 2007 to Present)			
	<b>Note:</b> Used behind hook bolt strike plates.	AAP Order No.	AW Order No.
		113437	9050899
<b>Shoot Bolt Cup - GU / Passive</b> (July 2007 to December 2010)			
	<b>Note:</b> Used with passive lock assembly.	AAP Order No.	AW Order No.
		112470	9050807

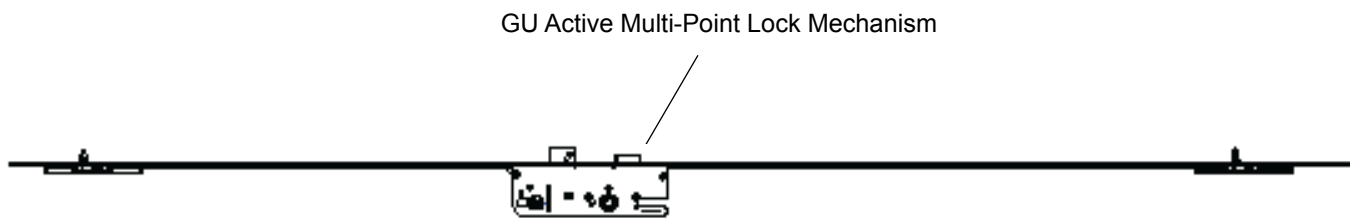
**Hardware**

**Lock Assembly - Old GU**

**Lock Assembly - Old GU / Active** (May 2004 - June 2007)

**Note:**

This is a conversion lock to replace this lock vintage (frame/astragal modification is necessary - Service Guide #115851)



**Clad Inswing Entry Doors - Old GU Active Lock Assembly**

<b>Replacement Lock Kits (includes lock mech, tailpiece and strikeplate)</b>		
<b>Door Configuration</b>	<b>AAP Order No.</b>	<b>AW Order No.</b>
All Double Doors (Inswing & Outswing)	115852	
Inswing Single Doors mulled to Sidelight (on lock side)	115853	
Inswing Single Doors with no interior extension jamb	115853	
Inswing Single Doors with interior extension jamb less than 3/8"	115854	
Inswing Single Doors with interior extension jamb between 3/8" & 5/8"	115852	
Outswing Left Hinged Single Doors	115855	
Outswing Right Hinged Single Doors	115856	

# Andersen® Clad Inswing Entry Doors (2001 to Present)

*Single and Double Doors*

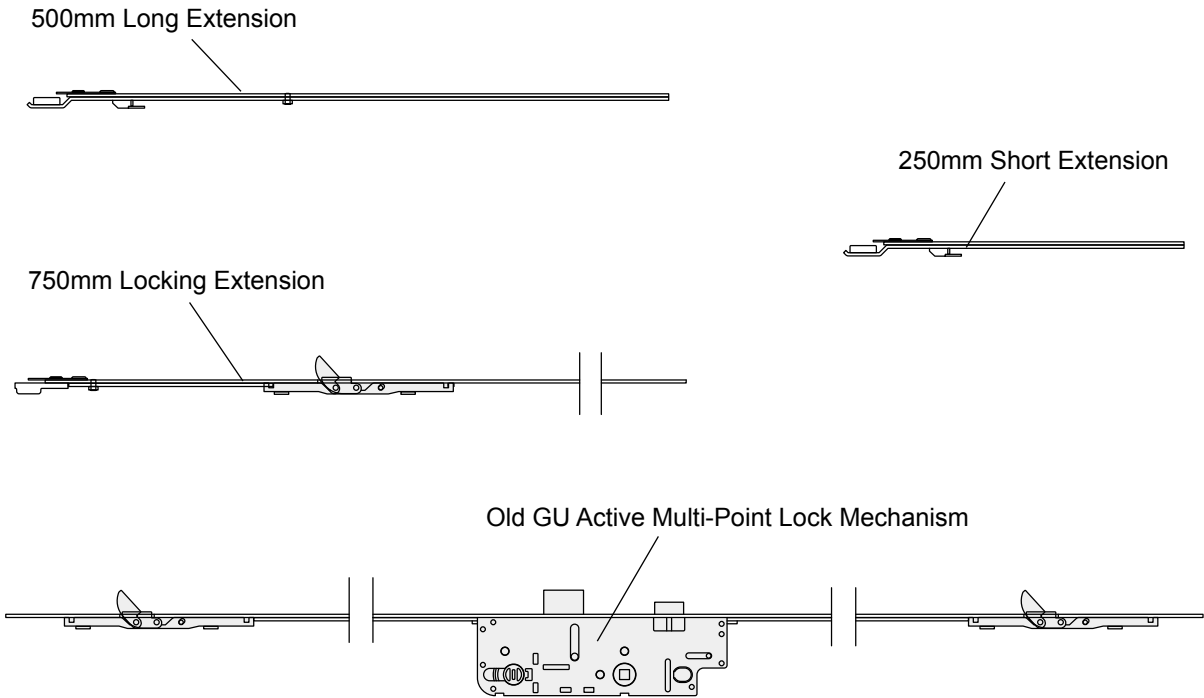
## Hardware

### Lock Assembly - Old GU

#### Lock Assembly - Old GU / Active *(October 2001 to May 2004)*

**Note:**

Old GU active locks are not handed.



**Clad Inswing Entry Doors - Old GU Active Lock Assembly**

#### Lock Mechanism - Old GU / Active / Multi-Point *(October 2001 to June 2007)*

	AAP Order No.	AW Order No.

#### Extension - Old GU / Active / Locking *(October 2001 to June 2007)*

	AAP Order No.	AW Order No.
Length = 750mm		

#### Extension - Old GU / Active / Long *(October 2001 to June 2007)*

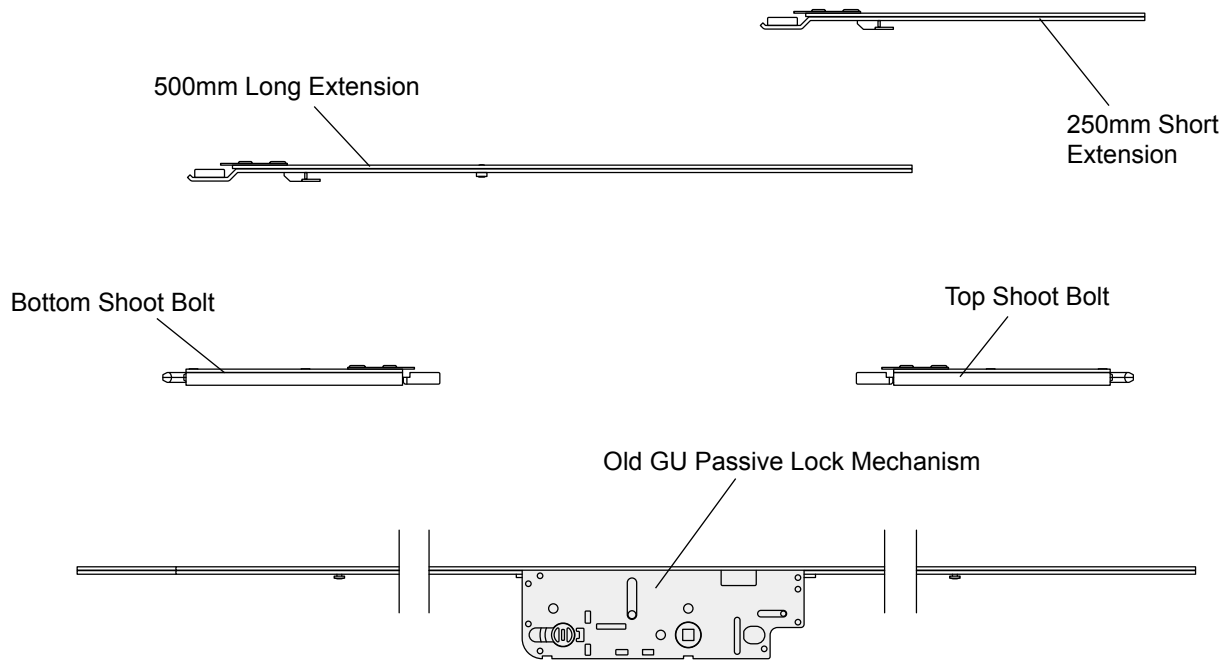
	AAP Order No.	AW Order No.
Length = 500mm		

#### Extension - GU / Active / Short *(October 2001 to June 2007)*

	AAP Order No.	AW Order No.
Length = 250mm		

**Lock Assembly - Old GU / Passive** (October 2001 to June 2007)

**Note:**  
Old GU passive locks are not handed.



**Clad Inswing Entry Doors - Old GU Passive Lock Assembly**

**Lock Mechanism - Old GU / Passive** (October 2001 to June 2007)

	<b>AAP Order No.</b>	<b>AW Order No.</b>

**Shoot Bolt - Old GU / Passive** (October 2001 to June 2007)

	<b>Orientation</b>	<b>AAP Order No.</b>	<b>AW Order No.</b>
	Bottom		
	Top		

**Extension - Old GU / Passive / Short** (October 2001 to June 2007)

Length = 250mm	<b>AAP Order No.</b>	<b>AW Order No.</b>

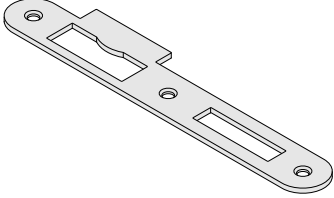
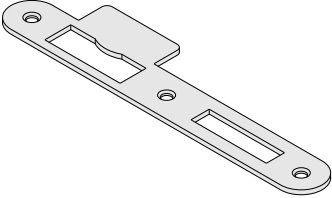
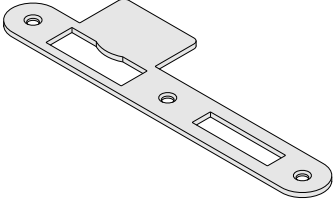
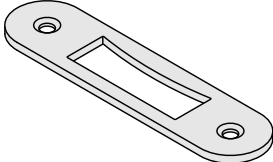
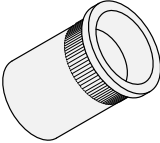
**Extension - Old GU / Passive / Long** (October 2001 to June 2007)

Length = 500mm	<b>AAP Order No.</b>	<b>AW Order No.</b>

# Andersen® Clad Inswing Entry Doors (2001 to Present)

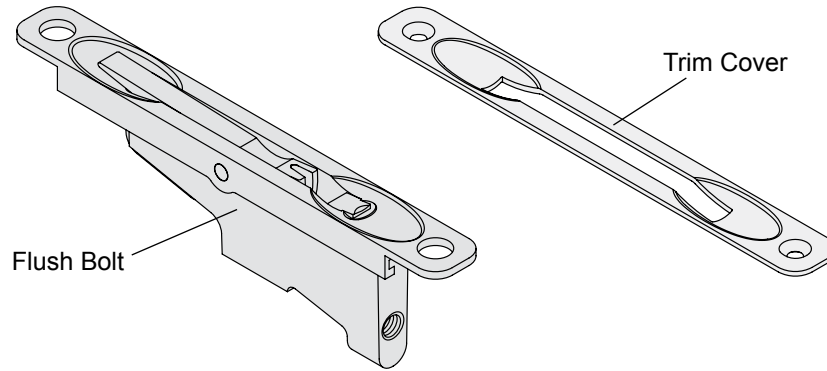
Single and Double Doors

## Hardware

<b>Lock Parts - Old GU</b>			
<b>Strike Plate - Old GU / Central / Short Lip / Stainless Steel</b> (October 2001 to June 2007)			
	<p><b>Note:</b> Use on double doors. This plate is not handed.</p>	AAP Order No.	AW Order No.
<b>Strike Plate - Old GU / Central / Medium Lip / Stainless Steel</b> (October 2001 to June 2007)			
	<p><b>Note:</b> Use on units with sidelights. This plate is not handed.</p>	AAP Order No.	AW Order No.
<b>Strike Plate - Old GU / Central / Long Lip / Stainless Steel</b> (October 2001 to June 2007)			
	<p><b>Note:</b> Use on single doors with up to a 3/8" interior jamb extension. This plate is not handed.</p>	AAP Order No.	AW Order No.
<b>Strike Plate - Old GU / Active / Hook Bolt / Stainless Steel</b> (October 2001 to June 2007)			
	<p><b>Note:</b> This plate is not handed.</p>	AAP Order No.	AW Order No.
<b>Shoot Bolt Cup - Old GU / Passive</b> (October 2001 to June 2007)			
	<p><b>Note:</b> Use this cup on passive lock assembly.</p>	AAP Order No.	AW Order No.

**Flush Bolts**

**Flush Bolt** *(November 2011 to Present)*

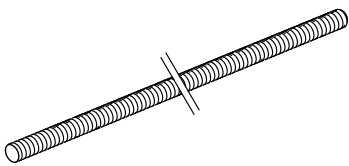


	<b>AAP Order No.</b>	<b>AW Order No.</b>
	114104	

**Trim Cover - Flush Bolt** *(November 2011 to Present)*

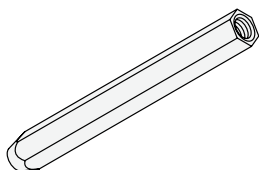
	<b>Finish</b>	<b>AAP Order No.</b>	<b>AW Order No.</b>
	Brushed Chrome	114105	

**Flush Bolt Rod - 1/4" - 20 UNC / Stainless Steel** *(November 2011 to Present)*



	<b>AAP Order No.</b>	<b>AW Order No.</b>
	PF2566	

**Shoot Bolt End** *(November 2011 to Present)*



	<b>AAP Order No.</b>	<b>AW Order No.</b>
	114101	

# Andersen® Clad Inswing Entry Doors (2001 to Present)

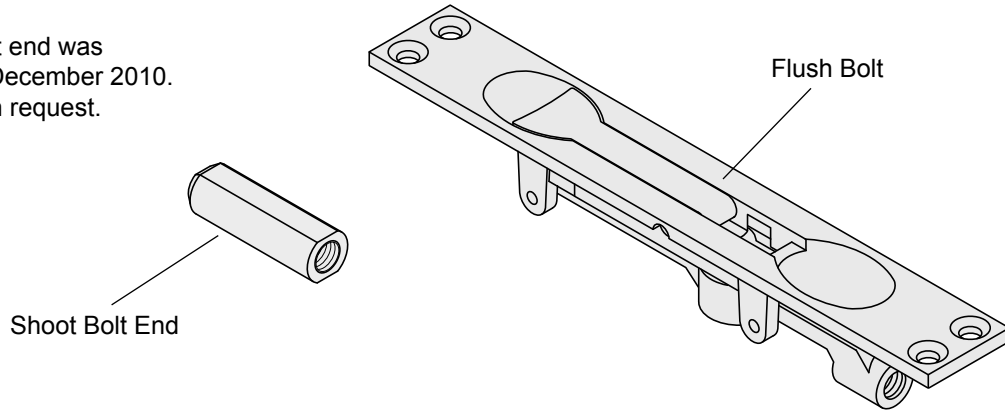
Single and Double Doors

## Hardware

### Flush Bolt (Prior to November 2011)

**Note:**

This shoot bolt end was discontinued December 2010. Available upon request.

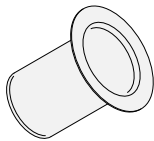


**Note:**

Flush bolt supplied with shoot bolt end.

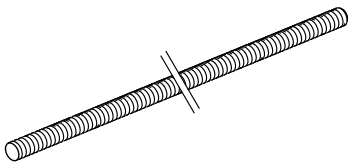
Finish	AAP Order No.	AW Order No.
Satin Chrome	2132	
White	103808	9050735
Dark Bronze	103809	9050736

### Brass Eyelet (Prior to November 2011)



AAP Order No.	AW Order No.
2228	

### Flush Bolt Rod - 5/16" (Prior to November 2011)

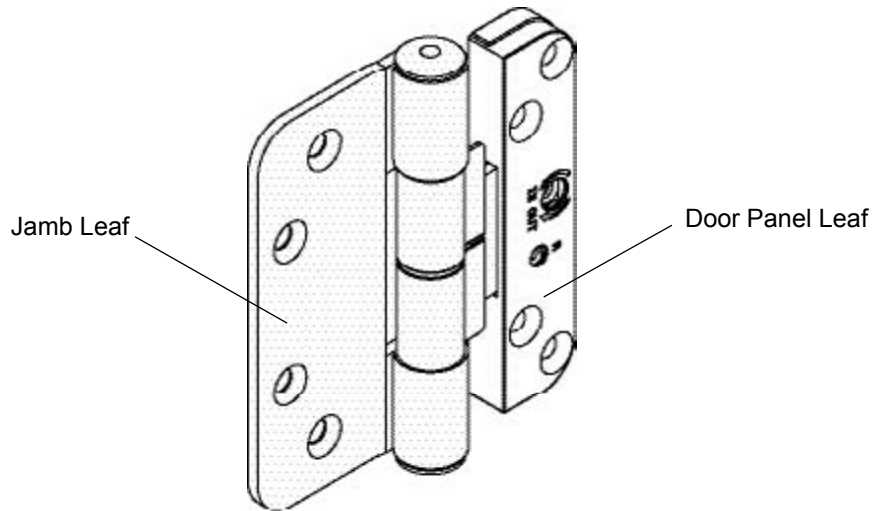


AAP Order No.	AW Order No.

**Hinges**

**Hinge - Adjustable**    *(March 2012 to Present)*

**Note:**  
Left hand hinge shown.



**Clad Inswing Entry Doors - Adjustable Hinge**

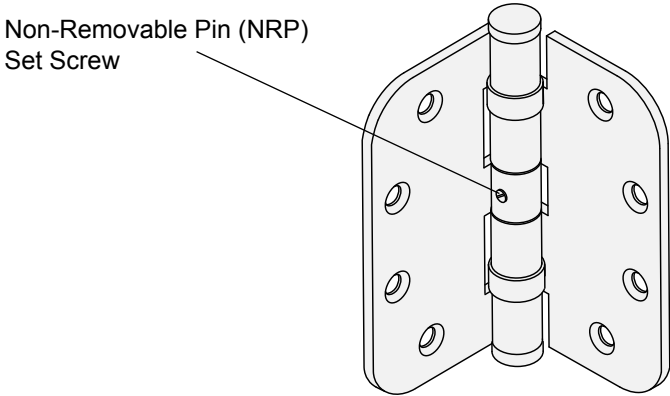
Finish	Left		Right	
	AAP Order No.	AW Order No.	AAP Order No.	AW Order No.
Black	113065		113146	
White	113066		113147	
Antique Brass	113067		113148	
Bright Brass	113068		113149	
Brushed Chrome	113069		113150	
Polished Chrome	113070		113151	
Distressed Bronze	113071		113152	
Distressed Nickel	113072		113153	
Oil Rubbed Bronze	113073		113154	
Satin Nickel	113074		113155	
Gold Dust	113075		113156	

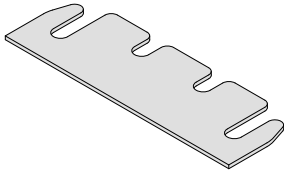


# Andersen® Clad Inswing Entry Doors (2001 to Present)

*Single and Double Doors*


## Hardware

<b>Hinge - 4 ½" / Ball Bearing</b> <span style="float: right;"><i>(September 2008 to March 2012)</i></span>			
<p><b>Note:</b> Hinges are non-handed. All hinges have non-removable pins (NRP).</p>			
 <p style="position: absolute; top: 0; left: 0;">Non-Removable Pin (NRP) Set Screw</p>			
	<b>Finish</b>	<b>AAP Order No.</b>	<b>AW Order No.</b>
	White	112890	9050828
	Polished Brass	112891	9050829
	Oil Rubbed Bronze	112892	9050830
	Brushed Chrome	112896	9050831
<p><b>Note:</b> Installed on product from September 2008 to December 2010. Available for replacement upon request.</p>	Stainless Steel	112893	
	Antique Brass	112894	
	Pewter	112895	
	Bright Chrome	112897	
	Black	112898	

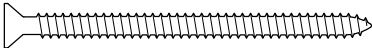
<b>Hinge Shims - 4 ½" / Neoprene / 0.040" Thick</b>			
			<b>AAP Order No.</b>
			<b>AW Order No.</b>
			114499

**Hardware**

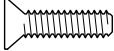
**Screws - Hinge**

<b>Mounting Screw - Door Panel</b>				
	Description	Finish	AAP Order No.	AW Order No.
	#10 - 12 × 1 3/4" FH	Black	113231	9050913
		White	113232	9050914
		Polished Brass	113234	
		Stainless Steel	113371	9050915

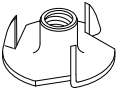
**Anchor Screw - Jamb**

	Description	Finish	AAP Order No.	AW Order No.
	#10 - 12 × 3" FH	Stainless Steel	472	9050918
		Black	113239	9050916
		White	113240	9050917
		Polished Brass	113242	

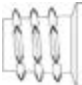
**Machine Screw - Jamb**

	Description	Finish	AAP Order No.	AW Order No.
	#10 - 24 UNC × 3/4" FH	Black	113247	
		White	113248	
		Polished Brass	113250	
		Stainless Steel	113374	

**Tee Nut - Machine Screw / Jamb** *(2001 to September 2009)*

	Description	Finish	AAP Order No.	AW Order No.
	#10 - 24 UNC × 5/16" - 3/4" Dia.	Stainless Steel	107357	

**Threaded Insert Nut - Machine Screw / Jamb** *(October 2009) - Present*

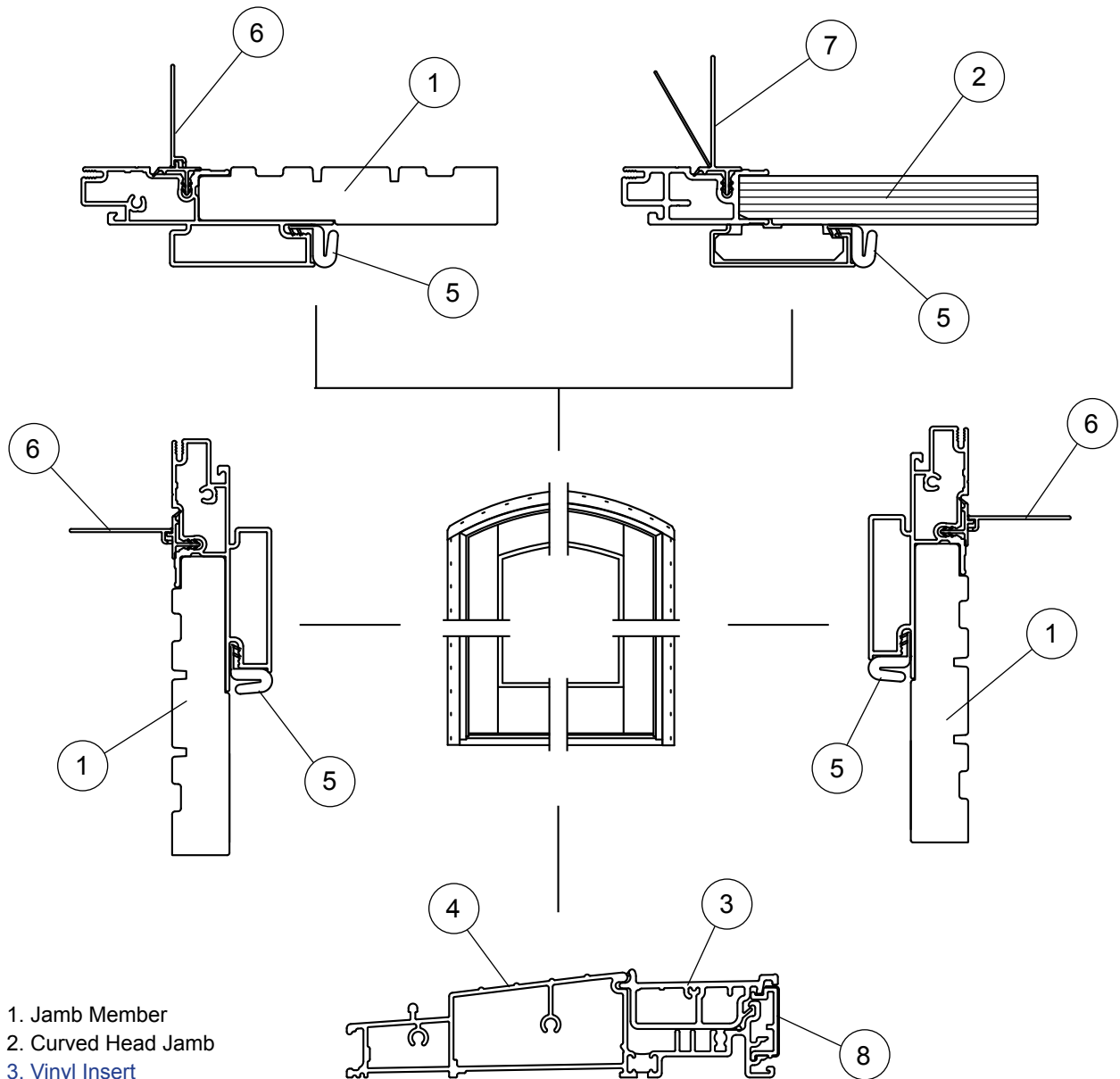
	Description	Finish	AAP Order No.	AW Order No.
	#10 - 24 UNC × 1/2" Hex Drive Flanged Threaded Insert	Stainless Steel	113561	

# Andersen® Clad Inswing Entry Doors (2001 to Present)

Single and Double Doors

## Frames

### Frame Assembly - Active & Passive / 4 9/16" Wall (December 2010) - Present

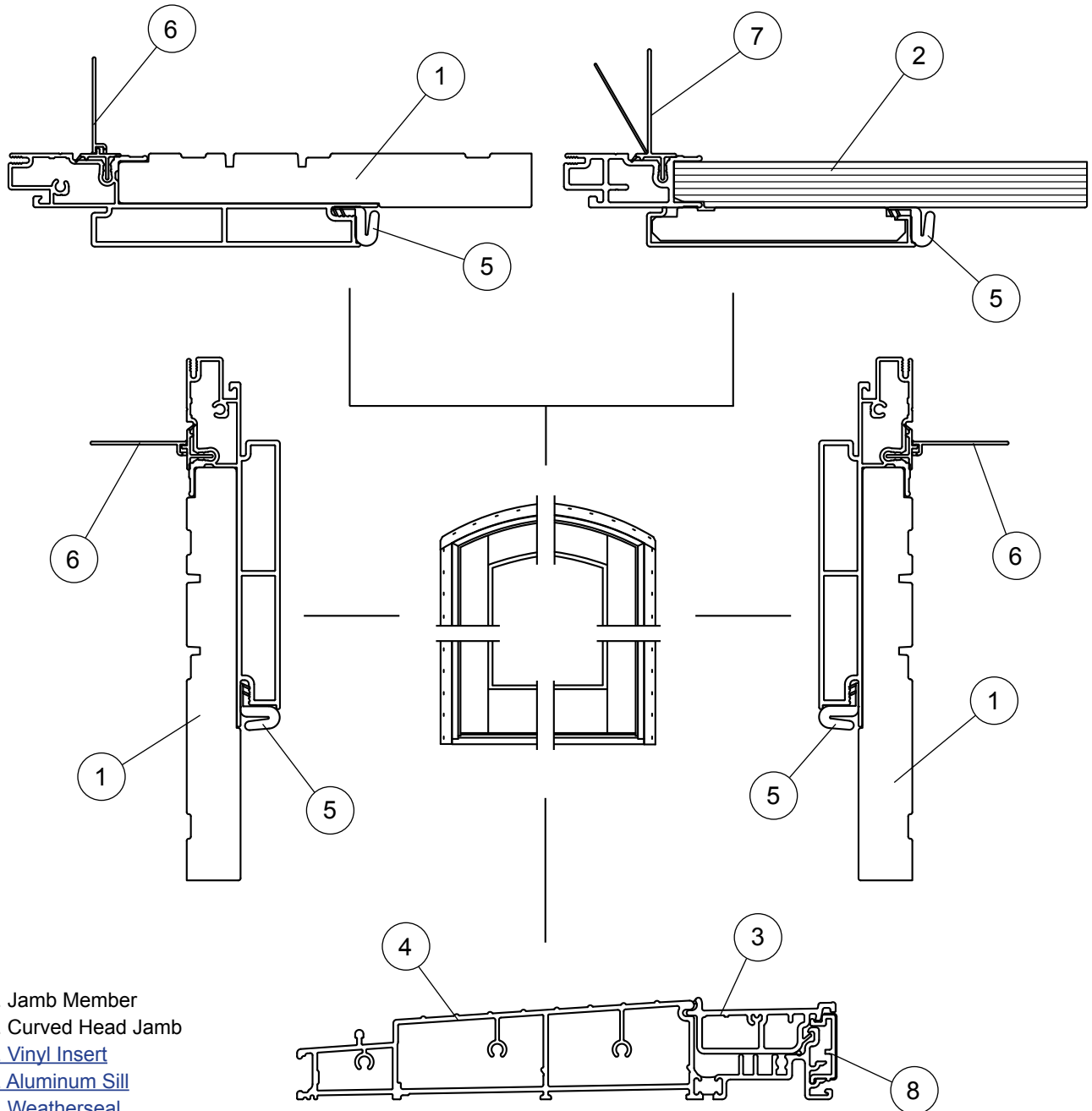


- 1. Jamb Member
- 2. Curved Head Jamb
- 3. Vinyl Insert
- 4. Aluminum Sill
- 5. Weatherseal
- 6. Installation Flange
- 7. Flexible Installation Flange
- 8. Interior Trim

### Active and Passive Frame Assembly / 4 9/16" Wall / 1 3/4" & 2 1/4" Thick Panels

Frames

**Frame Assembly - Active & Passive / 6 9/16" Wall** (December 2010) - Present



- 1. Jamb Member
- 2. Curved Head Jamb
- 3. [Vinyl Insert](#)
- 4. [Aluminum Sill](#)
- 5. [Weatherseal](#)
- 6. [Installation Flange](#)
- 7. [Flexible Installation Flange](#)
- 8. [Interior Trim](#)

**Active and Passive Frame Assembly / 6 9/16" Wall / 1 3/4" & 2 1/4" Thick Panels**

# Andersen® Clad Inswing Entry Doors (2001 to Present)

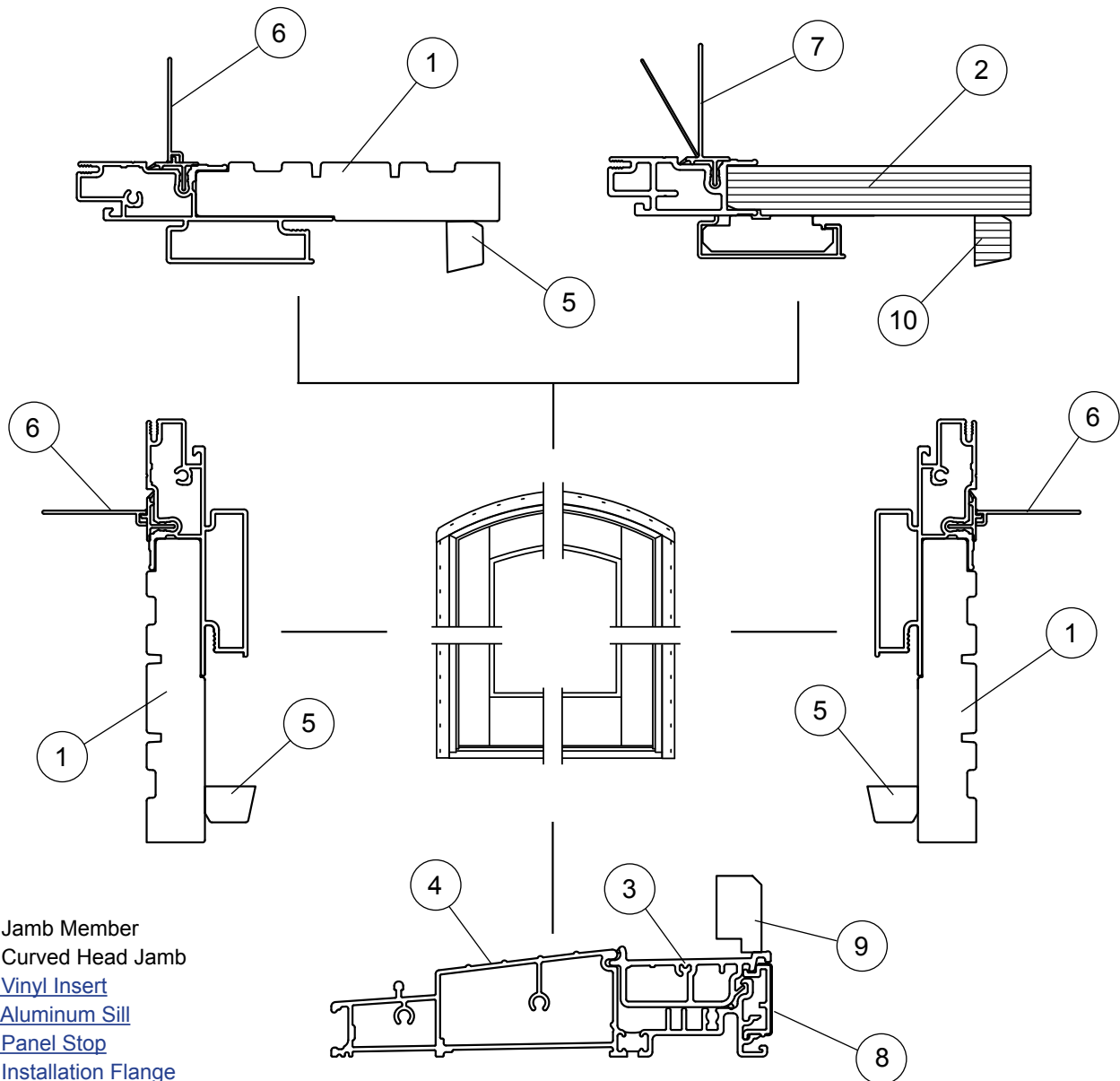
Single and Double Doors

## Frames

### Frame Assembly - Stationary (December 2010) - Present

**Note:**

1 3/4" panel with 4 9/16" wall shown below.



- 1. Jamb Member
- 2. Curved Head Jamb
- 3. Vinyl Insert
- 4. Aluminum Sill
- 5. Panel Stop
- 6. Installation Flange
- 7. Flexible Installation Flange
- 8. Interior Trim
- 9. Sill Panel Stop
- 10. Curved Stationary Door Panel Stop

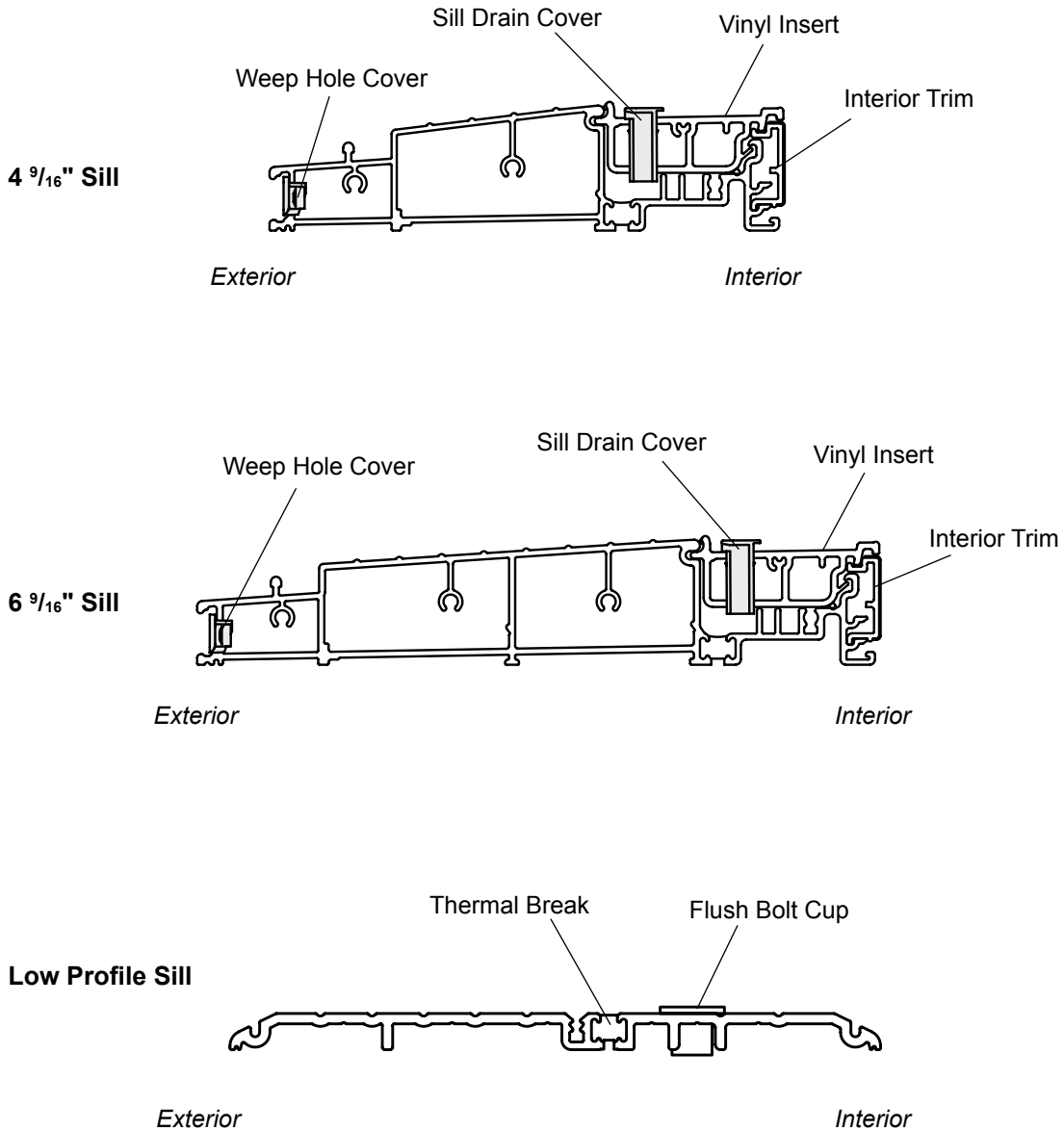
**Stationary Frame Assembly / 4 9/16" Wall / 1 3/4" & 2 1/4" Thick Panels**

**Frames**

**Sill**

**Sill** (December 2010 to Present)

**Note:**  
Sills come in gray and bronze.



**Clad Inswing Entry Doors - Sill**

# Andersen® Clad Inswing Entry Doors (2001 to Present)

Single and Double Doors

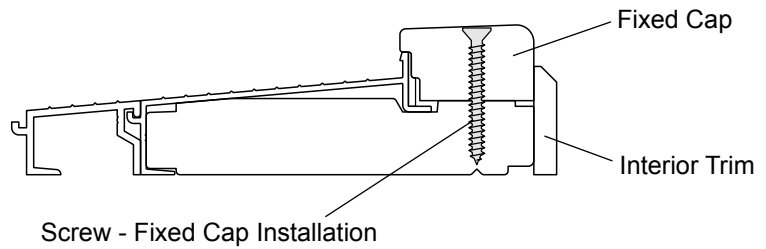
## Frames

### Sill *(Prior to December 2010)*

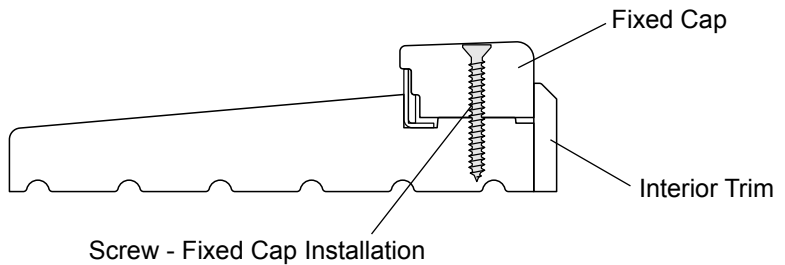
**Note:**

The adjustable threshold was obsolete as of February 2006. Use parts for the fixed inswing threshold for replacement. The solid wood threshold is available in oak and mahogany for 4 9/16" and 6 9/16" wall thicknesses.

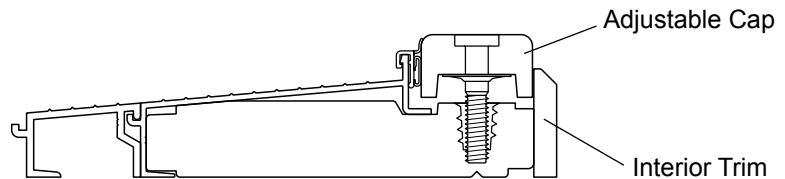
**Fixed Inswing Threshold**



**Solid Wood Fixed Threshold**



**Adjustable Threshold (Obsolete)**



### Fixed Cap - Wood *(Prior to December 2010)*

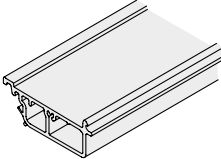
	<b>Note:</b> Available in oak or mahogany.	<b>AAP Order No.</b>	<b>AW Order No.</b>
		PF1890	

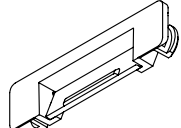
### Interior Trim - Wood *(Prior to December 2010)*

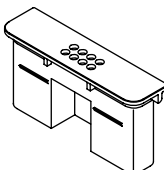
	<b>Note:</b> Available in oak or mahogany.	<b>AAP Order No.</b>	<b>AW Order No.</b>
		PF1295	

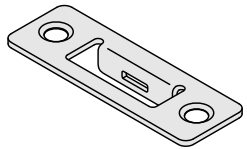
**Frames**

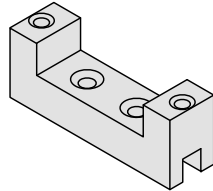
**Sill Parts** (December 2010) - Present

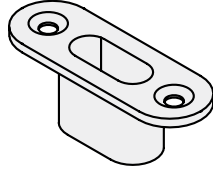
<b>Sill Insert - Vinyl</b> Ref. No. 3 <a href="#">page 57</a> , <a href="#">58</a> & <a href="#">59</a>			
	<b>Note:</b> Available in gray or black.	AAP Order No.	AW Order No.
			PF2264

<b>Cover - Weep Hole</b>				
		Color	AAP Order No.	AW Order No.
		Gray	113176	9050909
		Black	113259	9050910

<b>Drain Cover - Sill / Modified</b>				
		Color	AAP Order No.	AW Order No.
		Gray	113513	
		Black	113514	

<b>Strike Plate - Sill / Stainless Steel</b>			
	<b>Note:</b> Used on double doors with standard sill.	AAP Order No.	AW Order No.
			114009

<b>Support Block - Strike Plate / Sill / Aluminum</b>			
	<b>Note:</b> Used on double doors with standard sill.	AAP Order No.	AW Order No.
			114132

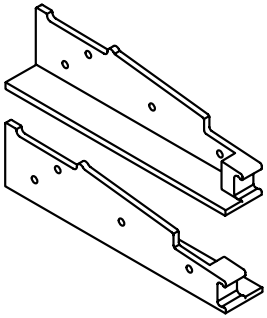
<b>Flush Bolt Cup - Flush Bolt / Low Profile Sill</b>				
	<b>Note:</b> Used on double doors with low profile sill.	Color	AAP Order No.	AW Order No.
		Gray	113032	
		Black	113360	

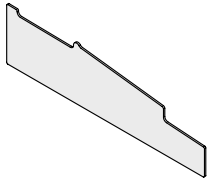


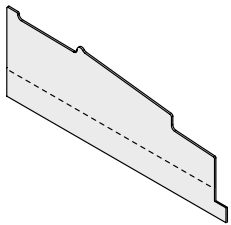
# Andersen® Clad Inswing Entry Doors (2001 to Present)

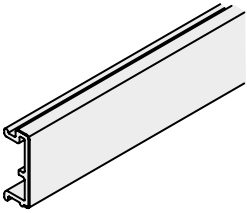
*Single and Double Doors*


## Frames

End Cap - Sill / Vinyl					
	Wall Thickness	Color	Orientation	AAP Order No.	AW Order No.
	4 9/16"	Gray	Left	114152	
			Right	114153	
		Black	Left	114154	
			Right	114155	
	6 9/16"	Gray	Left	114156	
			Right	114157	
		Black	Left	114158	
Right			114159		

Gasket - Sill / Internal / Non-Handed					
		Color	Wall Thickness	AAP Order No.	AW Order No.
		Gray	4 9/16"	114160	
			6 9/16"	114164	
		Black	4 9/16"	114162	
6 9/16"	114166				

Gasket - Sill / External / Non-Handed					
		Color	Wall Thickness	AAP Order No.	AW Order No.
		Gray	4 9/16"	114161	
			6 9/16"	114165	
		Black	4 9/16"	114163	
6 9/16"	114167				

Interior Trim - Sill / Vinyl & Wood Veneer <span style="float: right;">Ref. No. 8 <a href="#">page 57, 58 &amp; 59</a></span>					
	<b>Note:</b> Length = 86"	Veneer Species	AAP Order No.	AW Order No.	
		Pine	114018		
		Oak	114019		
		Maple	114020		
		White - Painted	114021		

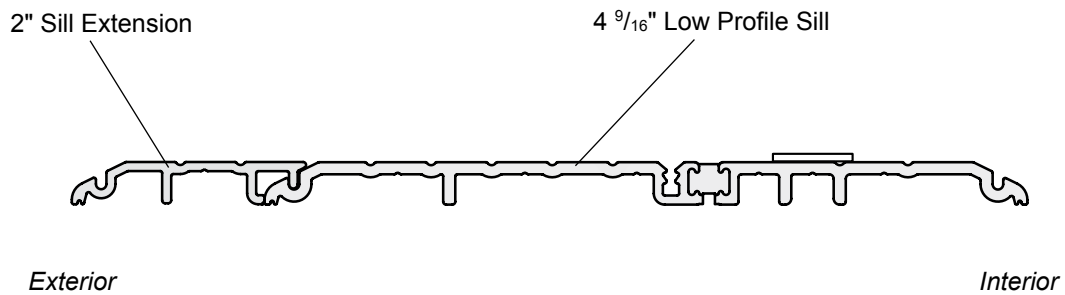
Panel Stop - Sill <span style="float: right;">Ref. No. 9 <a href="#">page 59</a></span>				
	<b>Note:</b> Used on stationary doors.	Panel Thickness	AAP Order No.	AW Order No.
		1 3/4"	PF2249	
		2 1/4"	PF2319	

**Frames**

**Extension Jamb**

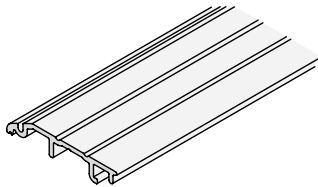
**Note:**

Current inswing entry doors are only available for 4 9/16" & 6 9/16" wall thicknesses. 4 9/16" Low Profile Sill must be extended to 6 9/16".



**Clad Inswing Entry Doors - Low Profile Sill**

**Sill Extension - Low Profile Sill / Inswing / Aluminum**



**Note:**

Used on 6 9/16" inswing units with low profile sill.

**AAP Order No.**

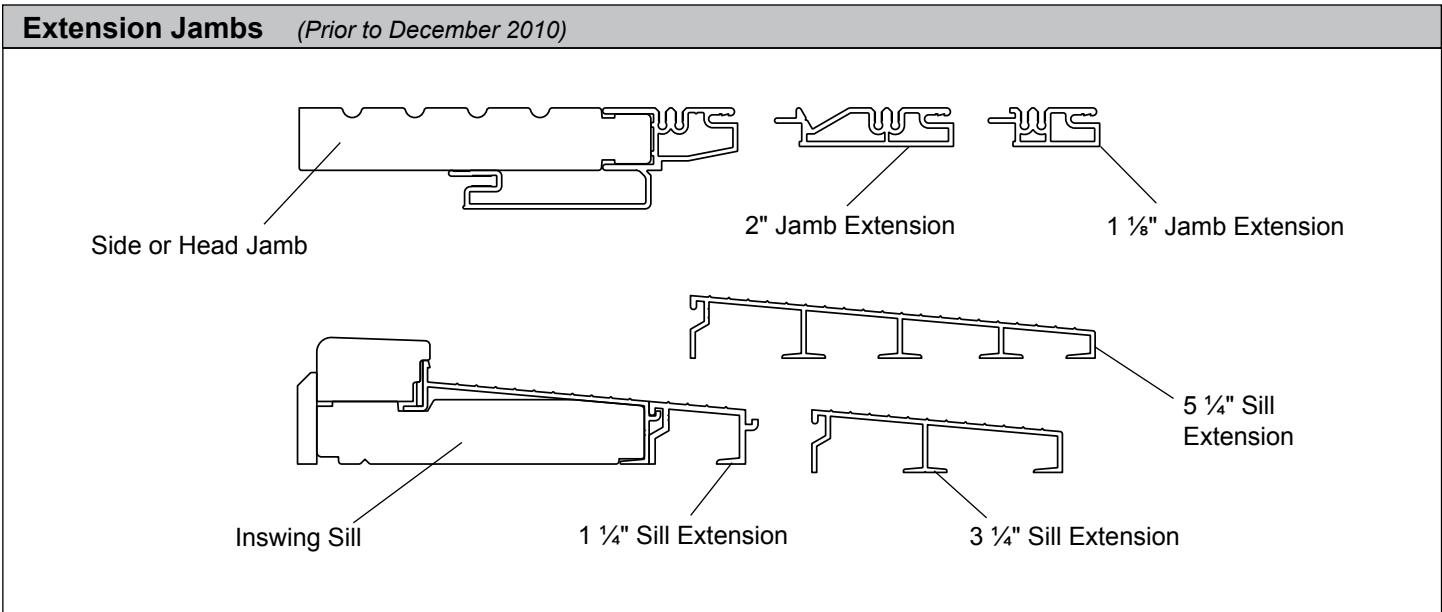
PF2348

**AW Order No.**

# Andersen® Clad Inswing Entry Doors (2001 to Present)

*Single and Double Doors*

## Frames



<b>Jamb Extension - 1 1/8" / Aluminum</b> <i>(Prior to December 2010)</i>		
<b>Note:</b> Available in 21 standard and any custom color. Use for wall thicknesses from 4 9/16" to 5 11/16".	<b>AAP Order No.</b>	<b>AW Order No.</b>

<b>Jamb Extension - 2" / Aluminum</b> <i>(Prior to December 2010)</i>		
<b>Note:</b> Available in 21 standard and any custom color. Use for wall thicknesses up to 6 1/2".	<b>AAP Order No.</b>	<b>AW Order No.</b>


<b>Sill Extension - 1 1/4" / Aluminum</b> <i>(Prior to December 2010)</i>		
<b>Note:</b> Available in mill finish, bronze and anodized brass. Use for wall thicknesses from 4 9/16" to 5 3/16"	<b>AAP Order No.</b>	<b>AW Order No.</b>

<b>Sill Extension - 3 1/4" / Aluminum</b> <i>(Prior to December 2010)</i>		
<b>Note:</b> Available in mill finish, bronze and anodized brass. Use for wall thicknesses from 5 1/4" to 7 3/16"	<b>AAP Order No.</b>	<b>AW Order No.</b>

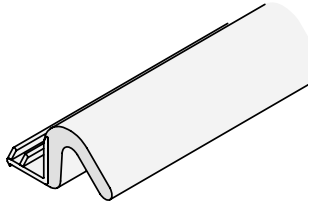
<b>Sill Extension - 5 1/4" / Aluminum</b> <i>(Prior to December 2010)</i>		
<b>Note:</b> Available in mill finish, bronze and anodized brass. Use for wall thicknesses from 7 1/4" to 9 3/16"	<b>AAP Order No.</b>	<b>AW Order No.</b>

**Frames**

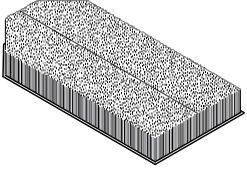
**Frame Parts**

Door Panel Stop - Stationary / Lineal & Curved <i>Ref. No. 5 &amp; No. 10 <a href="#">page 59</a></i>			
	<b>Note:</b> Available in pine, oak, mahogany, Douglas fir, cherry, maple, alder, and prefinished white.	AAP Order No.	AW Order No.
		PF1340	

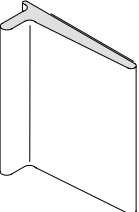
**Weatherseal - Frame *Ref. No. 5 [page 57](#) & [58](#)***

		Color	Length	AAP Order No.	AW Order No.
		White	96"	114641	
			144"	114588	
		Bronze	96"	114640	
144"	114587				

**Dust Plug - Frame / 1" x 2"**

		AAP Order No.	AW Order No.
		106037	

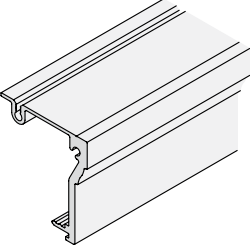
**Corner Pad - Frame / 2" / Contoured**

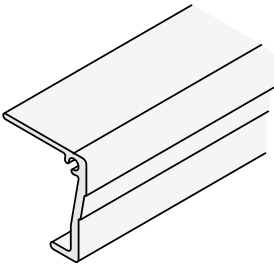
		Color	AAP Order No.	AW Order No.
		White	106297	9050767
		Beige		
		Bronze	106299	9050769

# Andersen® Clad Inswing Entry Doors (2001 to Present)

Single and Double Doors

## Frames

Brickmould - Lineal & Curved / Aluminum <i>(December 2010 to Present)</i>			
	<b>Note:</b> Available in 21 standard and any custom color.	AAP Order No.	AW Order No.
			PF2088

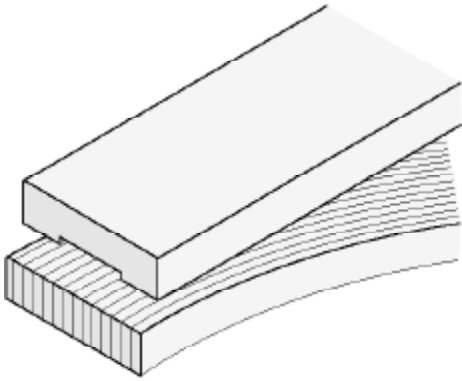
Brickmould - Lineal & Curved / Aluminum <i>(Prior to December 2010)</i>			
	<b>Note:</b> Available in 21 standard and any custom color.	AAP Order No.	AW Order No.
			KM34BM


**Joining Components**

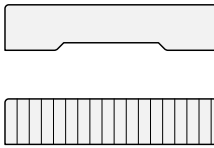
**Mullion Covers - Interior**  
**Mullion Covers - Interior / Horizontal & Vertical / Lineal & Curved / Wood**

**Note:**

Available in pine, oak, mahogany, Douglas fir, cherry, maple, alder, and prefinished white. Vertical mullion covers are 1/4" thick and horizontal mullion covers are 3/8" thick. Lineal and curved have same order number. WMC38 shown below.

	<b>Orientation</b>	<b>Mullion Width</b>	<b>AAP Order No.</b>	<b>AW Order No.</b>
	1/2"	PF2037		
	3/4"	PF2049		
	1"	PF2033		
	2"	PF2034		
	3 1/2"	PF2306		
	Horizontal (3/8" Thick)	Direct	WMC38	
		1/2"	PF1663	
		3/4"	PF2048	
		1"	PF2011	
		2"	PF2012	
3 1/2"		NA		

<b>Mullion Cover - Interior / 3/8" Mullion / Vertical / Lineal &amp; Curved / Wood</b> <i>(Prior to December 2010)</i>			
	<p><b>Note:</b> Available in pine, oak, mahogany, Douglas fir, cherry, maple, alder, and prefinished white.</p>	<b>AAP Order No.</b>	<b>AW Order No.</b>
		PF2037	

<b>Mullion Cover - Interior / 3/8" Mullion / Horizontal / Lineal &amp; Curved / Wood</b> <i>(Prior to December 2010)</i>			
	<p><b>Note:</b> Available in pine, oak, mahogany, Douglas fir, cherry, maple, alder, and prefinished white.</p>	<b>AAP Order No.</b>	<b>AW Order No.</b>
		PF1974	

# Andersen® Clad Inswing Entry Doors (2001 to Present)


Single and Double Doors

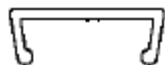
## Joining Components

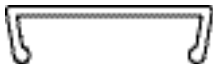
### Mullion Covers - Exterior


**Note:**


All exterior mullion covers available in 21 standard and any custom color.

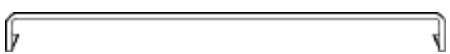
Mullion Cover - Exterior / Direct Mullion / Aluminum			
		AAP Order No.	AW Order No.
		PF2071	


Mullion Cover - Exterior / 1/2" Mullion / Aluminum			
		AAP Order No.	AW Order No.
		PF2074	

Mullion Cover - Exterior / 3/4" Mullion / Aluminum			
		AAP Order No.	AW Order No.
		PF2075	

Mullion Cover - Exterior / 1" Mullion / Aluminum			
		AAP Order No.	AW Order No.
		PF2441	

Mullion Cover - Exterior / 2" Mullion / Aluminum			
		AAP Order No.	AW Order No.
		PF2076	

Mullion Cover - Exterior / 3 1/2" Mullion / Aluminum			
		AAP Order No.	AW Order No.
		PF2077	

Mullion Cover - Exterior / 3/8" Mullion / Aluminum <i>(Prior to December 2010)</i>			
		AAP Order No.	AW Order No.
		PF1069	

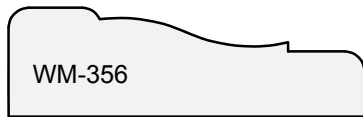
## Interior Casing

### Casing Profiles

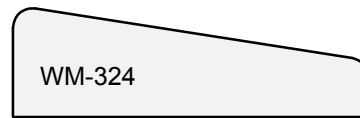
**Note:**

Interior casings are available in both lineal & curved and in pine, oak, mahogany, Douglas fir, cherry, maple, alder, and prefinished white.

#### Interior Casing - Lineal and Curved / Wood / 2 1/4"



2 1/4" Colonial



2 1/4" Ranch

#### Interior Casing - Lineal and Curved / Wood / 2 1/2"



2 1/2" Ranch



2 1/2" Colonial

#### Interior Casing - Lineal and Curved / Wood / 2 3/4"





# Andersen® Clad Inswing Entry Doors (2001 to Present)

Single and Double Doors

## Interior Casing

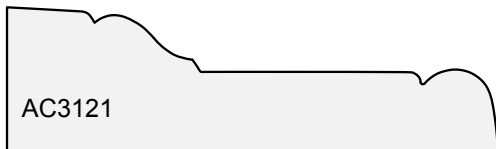
### Interior Casing - Lineal and Curved / Wood / 3 1/4"



### Interior Casing - Lineal and Curved / Wood / 3 1/2"



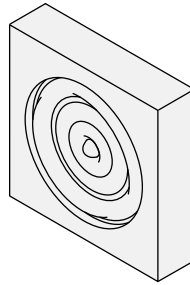
3 1/2" Colonial



**Interior Casing**

**Casing Parts**

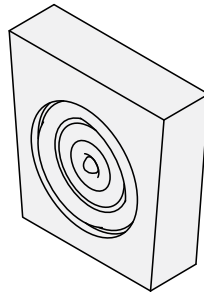
**Corner Block**



	3" x 3"		3 <sup>5</sup> / <sub>8</sub> " x 3 <sup>5</sup> / <sub>8</sub> "		4" x 4"	
Species	AAP Order No.	AW Order No.	AAP Order No.	AW Order No.	AAP Order No.	AW Order No.
Pine	105		111		981	
Oak	113		534		982	
Mahogany	103706		103708		103710	
Maple	104224		104225		104226	

	4 <sup>5</sup> / <sub>8</sub> " x 4 <sup>5</sup> / <sub>8</sub> "	
Species	AAP Order No.	AW Order No.
Pine	1304	
Oak	1305	
Mahogany	103712	
Maple	104227	

**Keystone**

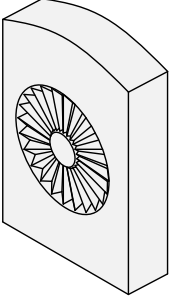


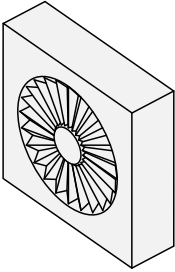
	2 <sup>7</sup> / <sub>8</sub> " x 2 <sup>7</sup> / <sub>8</sub> "		3 <sup>3</sup> / <sub>4</sub> " x 3 <sup>3</sup> / <sub>4</sub> "		4 <sup>1</sup> / <sub>2</sub> " x 4 <sup>1</sup> / <sub>2</sub> "	
Species	AAP Order No.	AW Order No.	AAP Order No.	AW Order No.	AAP Order No.	AW Order No.
Pine	2148		642		2152	
Oak	2149		190		2153	
Mahogany	103698		103700		103702	
Maple	104220		104221		104222	

# Andersen® Clad Inswing Entry Doors (2001 to Present)

Single and Double Doors

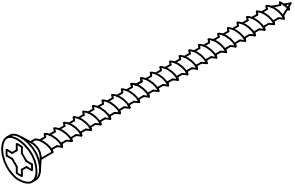
## Interior Casing

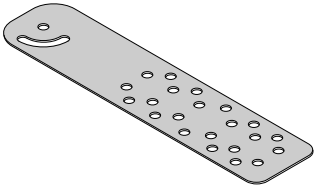
Plinth Block - Arch					
	2 <sup>7</sup> / <sub>8</sub> " x 4"			3 <sup>7</sup> / <sub>8</sub> " x 5 <sup>1</sup> / <sub>4</sub> "	
	Species	AAP Order No.	AW Order No.	AAP Order No.	AW Order No.
	Maple	107003	9050776	107005	9050778
	Oak	107002	9050775	107004	9050777
	Mahogany	109825		109827	
	Douglas Fir	109821		109823	
	Cherry	109817		109819	

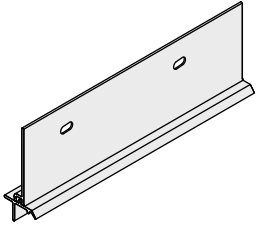
Plinth Block					
	2 <sup>7</sup> / <sub>8</sub> " x 2 <sup>7</sup> / <sub>8</sub> "			3 <sup>7</sup> / <sub>8</sub> " x 3 <sup>7</sup> / <sub>8</sub> "	
	Species	AAP Order No.	AW Order No.	AAP Order No.	AW Order No.
	Maple	106999	9050772	107001	9050774
	Oak	106998	9050771	107000	9050773
	Mahogany	109824		109826	
	Douglas Fir	109820		109822	
Cherry	109816		109818		

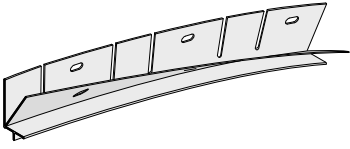
**Installation Components**

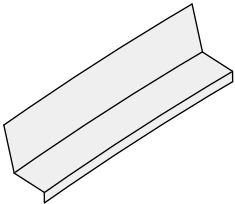
**Installation Components**

<b>Anchor Screw - Jamb</b>				
	<b>Description</b>	<b>Finish</b>	<b>AAP Order No.</b>	<b>AW Order No.</b>
	#10 - 12 x 3 " FH	Stainless Steel	472	9050918
		Black	113239	9050916
		White	113240	9050917
		Polished Brass	113242	

<b>Installation Clips - 6"</b>				
			<b>AAP Order No.</b>	<b>AW Order No.</b>
			112736	9050825

<b>Installation Flange - Lineal</b> <i>Ref. No. 6 <a href="#">page 57, 58 &amp; 59</a></i>				
			<b>AAP Order No.</b>	<b>AW Order No.</b>
			PF2079	



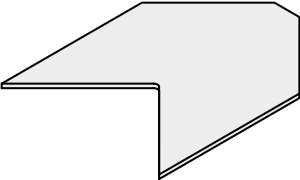
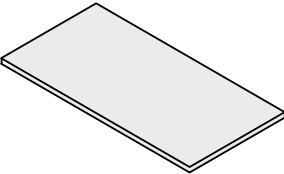
<b>Installation Flange - Flexible</b> <i>Ref. No. 7 <a href="#">page 57, 58 &amp; 59</a></i>				
			<b>AAP Order No.</b>	<b>AW Order No.</b>
			PF2080	

<b>Flexible Drip Cap</b>					
			<b>Color</b>	<b>AAP Order No.</b>	<b>AW Order No.</b>
			White	103252	
			Beige	103253	

# Andersen® Clad Inswing Entry Doors (2001 to Present)

*Single and Double Doors*

## Installation Components

Drip Cap - Aluminum			
		AAP Order No.	AW Order No.
		PF2085	
Clip - Sill / Stainless Steel			
		AAP Order No.	AW Order No.
		113177	
Corner Gasket - Installation Flange			
		AAP Order No.	AW Order No.
		113018	
Straight Gasket - Installation Flange			
		AAP Order No.	AW Order No.
		113203	

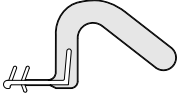
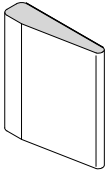
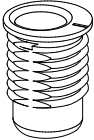
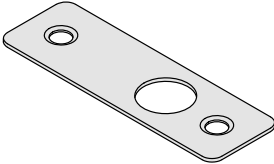

**Notes**

---

# Andersen® Clad Inswing Entry Doors (2001 to Present)

## Service Replacement

### Service Replacement Parts

Service Parts				
Weatherseal - Long Reach / 97"				
		Color	AAP Order No.	AW Order No.
		White	104602	9050748
		Bronze	104604	9050749
Corner Pad - 3/8" x 2"				
		Color	AAP Order No.	AW Order No.
		Bronze	106068	
Shoot Bolt Receiver - Adjustable / Passive Lock <i>(Prior to December 2010)</i>				
	<b>Note:</b> Use with passive lock system. Replaces shoot bolt cup when adjustment is required. Use 5/16" hex wrench to install and adjust.		AAP Order No.	AW Order No.
			112815	9050827
Transition Strike Plate - Flush Bolt <i>(Prior to December 2010)</i>				
	<b>Note:</b> Use with flush bolts.		AAP Order No.	AW Order No.
			112814	
Touch-Up Paint				
	<b>Note:</b> 1/2 fl. oz bottle.	Color	AAP Order No.	AW Order No.
		White	104585	
		Terratone®	104586	
		Forest Green	104588	

**Notes**

---